

Product Technical Data Sheet

M6.5 -12 Cyclonic RoofZips

Part Number	Description	Pack Qty	Pallet Qty
6-030-3330-1C4	M6.5 -12 x 55 Cyclonic RoofZips® with Seal	500	42,000
6-030-3331-1C4	M6.5 -12 x 55 Cyclonic RoofZips® with CoriLok Plate	250	21,000
6-030-3371-1C4	M6.5 -12 x 55 Cyclonic RoofZips® with CoriLok Plate and SuperSeal	250	21,000
6-030-3332-2C4	M6.5 -12 x 55 Cyclonic RoofZips® with SquareLok Plate	250	21,000
6-030-3334-2C4	M6.5 -12 x 55 Cyclonic RoofZips® with SquareLok Plate and SuperSeal	250	21,000
6-030-3333-3C4	M6.5 -12 x 55 Cyclonic RoofZips® with MultiSeal	250	21,000
6-030-3401-1C4	M6.5 -12 x 70 Cyclonic RoofZips® with Seal	250	21,000
6-030-3405-5C4	M6.5 -12 x 70 Cyclonic RoofZips® with SquareLok Plate	250	21,000
6-030-3406-6C4	M6.5 -12 x 70 Cyclonic RoofZips® with SquareLok Plate and SuperSeal	250	21,000
6-030-3407-7C4	M6.5 -12 x 70 Cyclonic RoofZips® with MultiSeal	250	21,000

Application:

Buildex® M6.5-12 Cyclonic RoofZips are used for fixing into cyclonic metal and timber battens.

Drilling Capacity:

Cyclonic Metal batten up to 1.0 mm Lapped, Cyclonic Metal Batten 1.2 mm Single Thickness and soft or hard Timber

Installation Instructions:

1. Use a 3/8 Hex Hexagon Driver Bit 1-991-1370-4
2. Use a mains powered or cordless screw driver with a 2,500 RPM speed max..
3. Fit the hex driver bit over the screw and place at the fastening position.
4. Apply consistently firm pressure (end load) to the screw driver until the screw has drilled and fastened.

Material: Carbon Steel SAE 1022 | **Heat Treatment:** To AS 3566.1 | **Finish:** Climaseal 4

Mechanical Properties:

Single Shear Strength (N) 8,670 | Axial Tensile (N) 18,760 | Torsion Strength 17.70 N-m

Pullout Values (N):

0.55mm Batten: 1,625 | 0.75mm Batten 2,716 | 1.0mm Batten 3,500 | Steel Stud 1.2mm: 3,240

F7 (Pine): 5,610 | F17 (Ash) 6,280 | Ultra Hard Timber 7,290

All values are averages obtained under laboratory conditions and appropriate safety factors should be applied for design purposes.

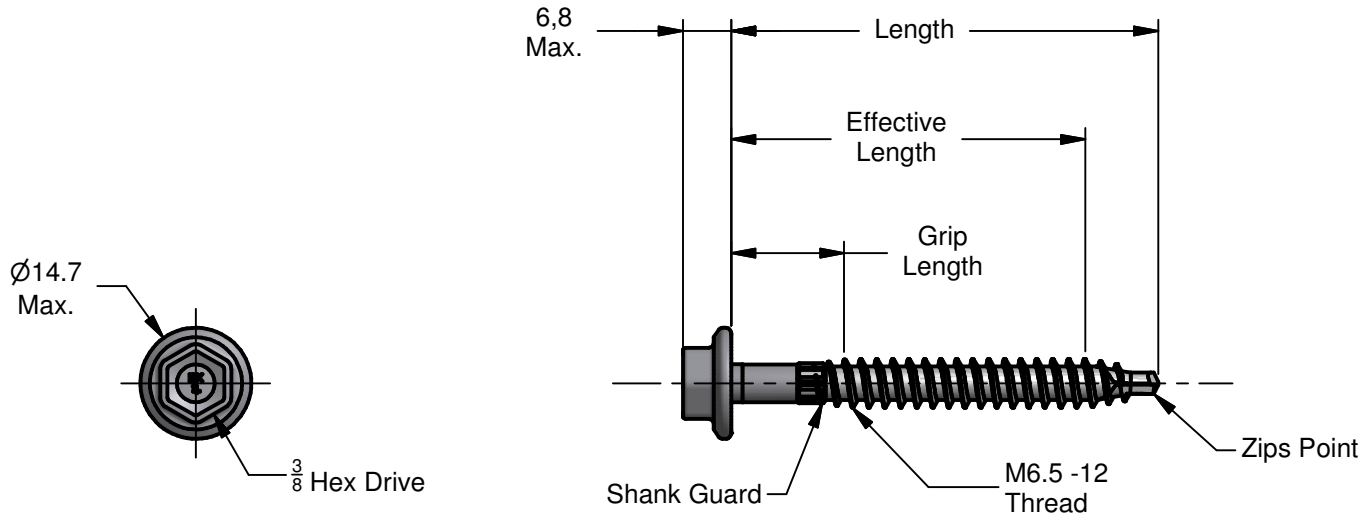
These figures are applicable to Buildex® head marked product only.

Corrosion Performance:

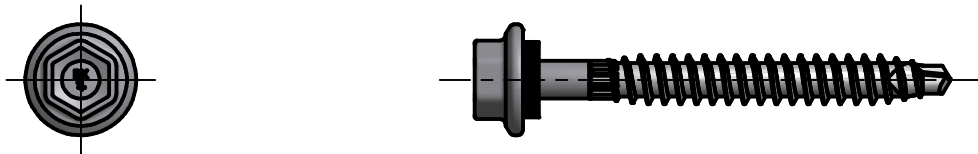
Buildex® RoofZips complies to Australian Standards AS3566.2 Class 4

Product Technical Data Sheet

M6.5 -12 Cyclonic RoofZips



Part Number	Description	Length	Grip Length	Effective Length
6-031-3330-1C4	M6.5-12 x 55 Hex Washer Cyclonic RoofZips	55.0 / 56-5	13.75 Max.	46.0 Min.
6-031-3401-1C4	M6.5-12 x 70 Hex Washer Cyclonic RoofZips	68.5 / 70.0	19.0 / 21.0	59.5 Min.



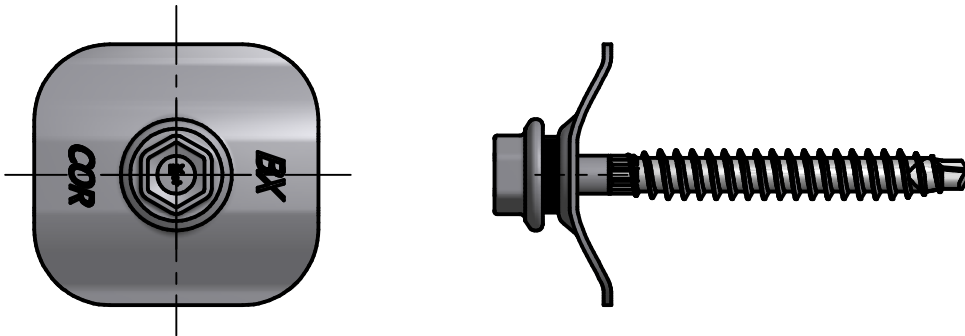
For Non Cyclone Areas

Part Number	Description
6-030-3330-1C4	M6.5-12 x 55 Hex Washer Cyclonic RoofZips with EDPM Seal
6-030-3401-1C4	M6.5-12 x 70 Hex Washer Cyclonic RoofZips with EDPM Seal

All dimensions nominal unless otherwise stated. Normal manufacturing tolerances apply.

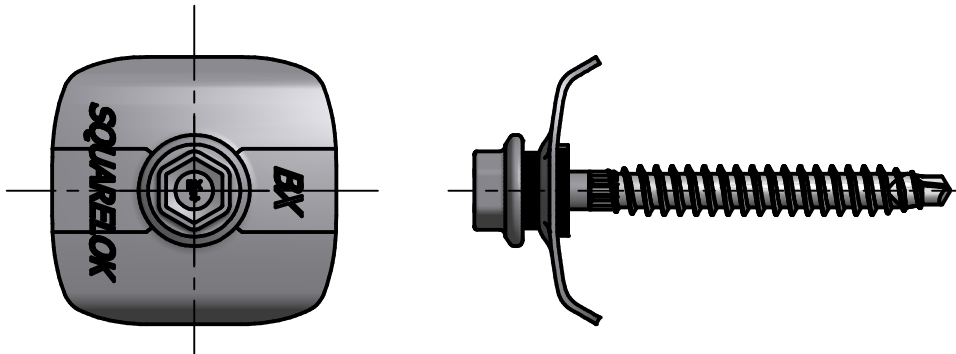
Product Technical Data Sheet

M6.5 -12 Cyclonic RoofZips



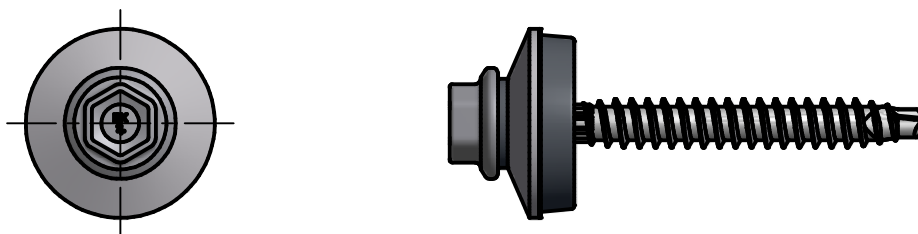
For Corrugated Profiles in Cyclone Areas

Part Number	Description
6-030-3331-1C4	M6.5-12 x 55 Hex Washer Cyclonic RoofZips with Corilok® Plate



For Square Rib Profiles in Cyclone Areas

Part Number	Description
6-030-3332-2C4	M6.5-12 x 55 Hex Washer Cyclonic RoofZips with Squarelok® Plate
6-030-3405-5C4	M6.5-12 x 70 Hex Washer Cyclonic RoofZips with Squarelok® Plate

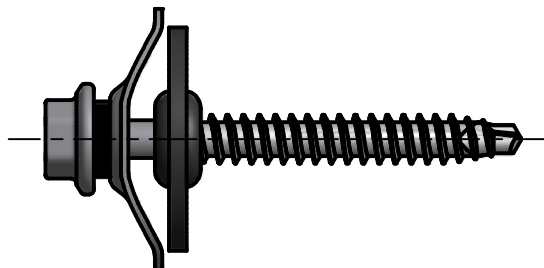
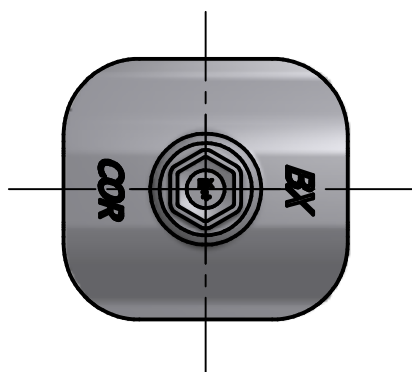


Multiseal Washer Assembly

Part Number	Description
6-030-3333-3C4	M6.5-12 x 55 Hex Washer Cyclonic RoofZips with MultiSeal®
6-030-3407-7C4	M6.5-12 x 70 Hex Washer Cyclonic RoofZips with MultiSeal®

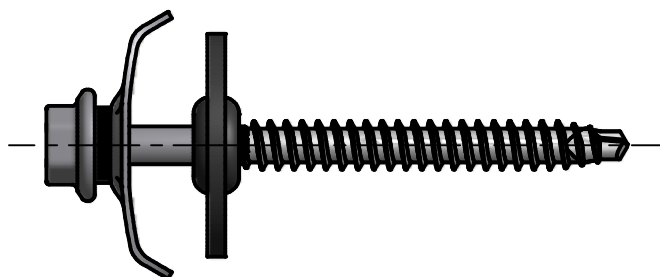
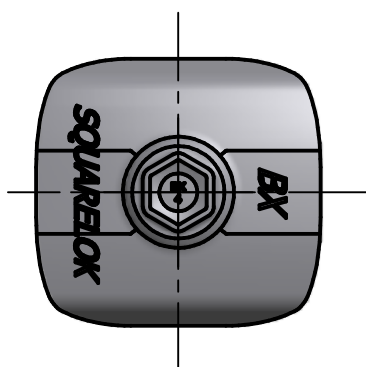
Product Technical Data Sheet

M6.5 -12 Cyclonic RoofZips



For Corrugated Profiles in Cyclone Areas

Part Number	Description
6-030-3371-1C4	M6.5-12 x 55 Hex Washer Cyclonic RoofZips with Corilok® Plate and SuperSeal



For Square Rib Profiles in Cyclone Areas

Part Number	Description
6-030-3334-4C4	M6.5-12 x 55 Hex Washer Cyclonic RoofZips with Squarelok® Plate with SuperSeal
6-030-3406-6C4	M6.5-12 x 70 Hex Washer Cyclonic RoofZips with Squarelok® Plate with superSeal

Note Product with SuperSeal are for sale in NT only.

Buildex® Head Office
 600 South Road
 Moorabbin Victoria 3189
 Australia
 1300 368 101
 CustomerService-MBN@buildex.com.au

Buildex® Middle Eastern Sales Office
 middleeastsales@buildex.com.au

Technical Help Desk
 Technicalhelpdesk@buildex.com.au