

Product Technical Data Sheet

M6.5 -12 Cyclonic RoofZips

Part Number	Description	Pack Qty	Pallet Qty
6-031-3372-2C4	M6.5 -12 x 30 Cyclonic RoofZips®	500 / 1500	126,000
6-030-3372-2C4	M6.5 -12 x 30 Cyclonic RoofZips® with Seal	500 / 1500	126,000

Application:

Buildex® M6.5-12 Cyclonic RoofZips are used for fixing valley fixing roofing and side cladding sheet into metal and timber battens.

Drilling Capacity:

Cyclonic Metal batten up to 1.0 mm Lapped, Cyclonic Metal Batten 1.2 mm Single Thickness and soft or hard Timber

Installation Instructions:

1. Use a 3/8 Hex Hexagon Driver Bit 1-991-1370-4
2. Use a mains powered or cordless screw driver with a 2,500 RPM speed max..
3. Fit the hex driver bit over the screw and place at the fastening position.
4. Apply consistently firm pressure (end load) to the screw driver until the screw has drilled and fastened.

Material: Carbon Steel SAE 1022 | **Heat Treatment:** To AS 3566.1 | **Finish:** Climaseal 4

Mechanical Properties:

Single Shear Strength (N) 8,670 | Axial Tensile (N) 18,760 | Torsion Strength 17.70 N-m

Pullout Values (N):

0.55mm Batten: 1,625 | 0.75mm Batten 2,716 | 1.0mm Batten 3,500 | Steel Stud 1.2mm: 3,240

F7 (Pine): 5,610 | F17 (Ash) 6,280 | Ultra Hard Timber 7,290

All values are averages obtained under laboratory conditions and appropriate safety factors should be applied for design purposes.

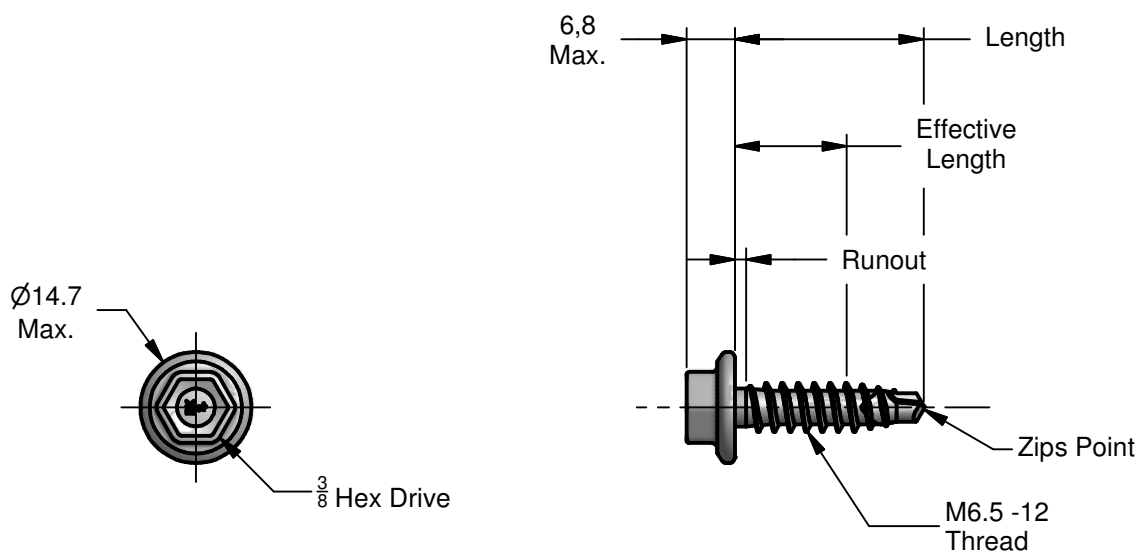
These figures are applicable to Buildex® head marked product only.

Corrosion Performance:

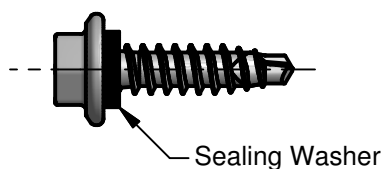
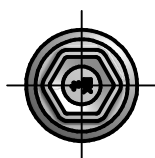
Buildex® RoofZips complies to Australian Standards AS3566.2 Class 4

Product Technical Data Sheet

M6.5 -12 Cyclonic RoofZips



Part Number	Description	Length	Runout	Effective Length
6-031-3372-2C4	M6.5-12 x 30 Hex Washer Cyclonic RoofZips	28.5 / 30.0	1.0 Max.	15.0 Min.



Part Number	Description
6-030-3372-2C4	M6.5-12 x 30 Hex Washer Cyclonic RoofZips with EDPM Seal

All dimensions nominal unless otherwise stated. Normal manufacturing tolerances apply.

Buildex® Head Office
 600 South Road
 Moorabbin Victoria 3189
 Australia
 1300 368 101
 CustomerService-MBN@buildex.com.au

Buildex® Middle Eastern Sales Office
 middleeastsales@buildex.com.au

Technical Help Desk
 Technicalhelpdesk@buildex.com.au