

## Product Technical Data Sheet

### Kliplok Cyclone Plate

Part Number	Description
5-691-0004-0C4	Kliplok Cyclone Plate Climaseal 4

#### Application:

Buildex® Kliplok® Cyclone Plates are used with Hex Washer Type 17, Cyclonic RoofZips® and Teks® in conjunction with Hi Rib sheet profiles in cyclonic and high wind areas.

#### Recommended for:

Fixing Hi Rib Profile to timber, purlins and steel battens.

Crest fixing Hi Rib roofing profiles to timber, purlins and steel battens.

Refer to the specific fastener and Kliplok® washer assembly data sheets for the particular sheet profile to host material application details.

***This product is not recommended for valley fixing sheet profile.***

#### Material:

**Cyclone Plate:** Zinalume®

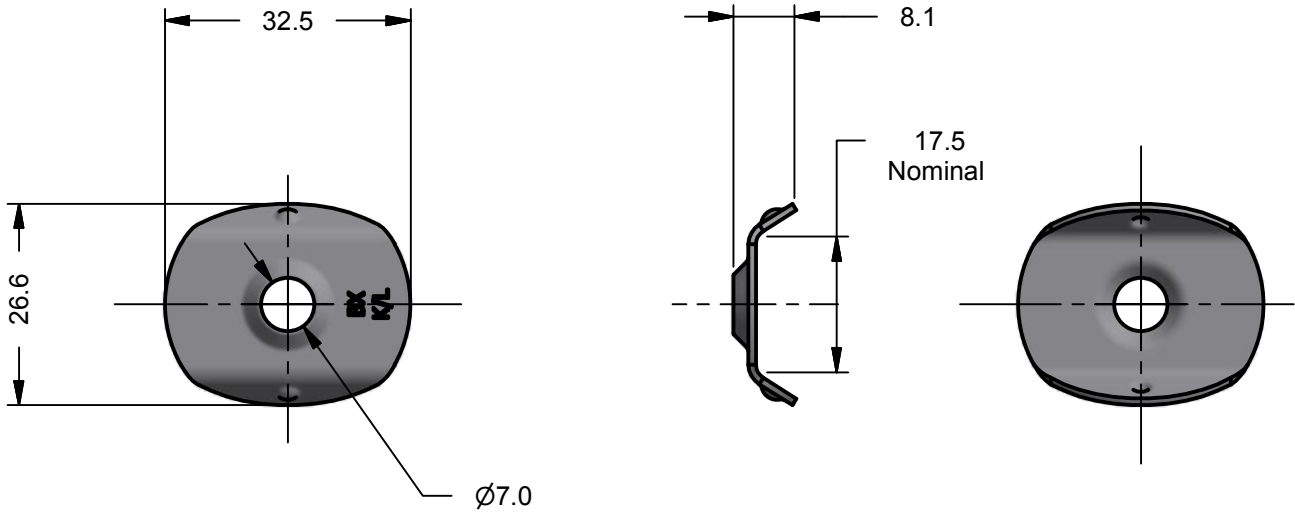
**Sealing Washers:** Non Conductive EPDM. Refer Product Data Sheet 98005-PDS for Sealing Washer details

#### Corrosion Performance:

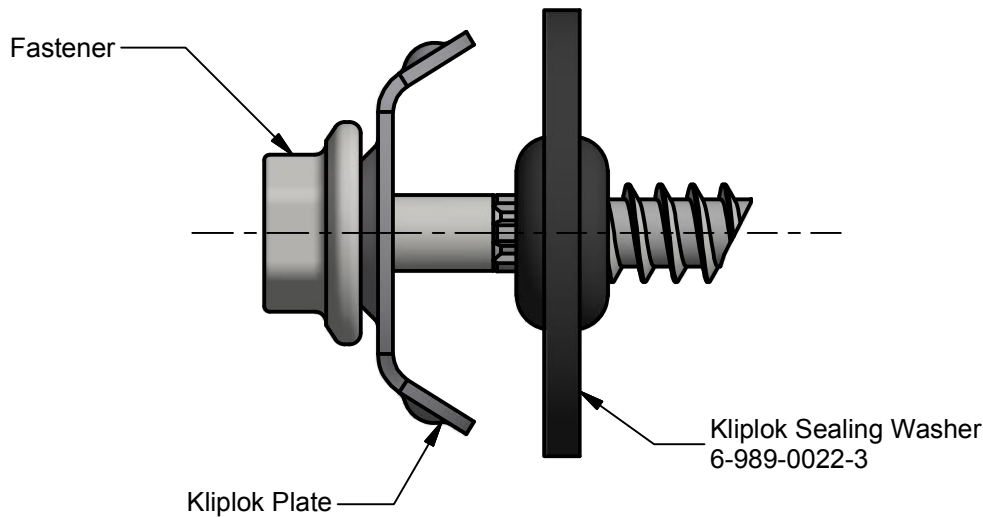
The Buildex® KlipLok® Cyclone Plate complies to Australian Standards AS3566.2 Class 4

## Product Technical Data Sheet

### Kliplok Cyclone Plate



All dimensions nominal unless otherwise stated. Normal manufacturing tolerances apply.



Typical Kliplok Assembly ( 2 : 1 )

Buildex® Head Office  
600 South Road  
Moorabbin Victoria 3189  
Australia  
1300 368 101  
CustomerService-MBN@buildex.com.au

Buildex® Middle Eastern Sales Office  
middleeastsales@buildex.com.au

Technical Help Desk  
Technicalhelpdesk@buildex.com.au