

## Product Technical Data Sheet

### Corri-Lok Cyclone Plate

Part Number	Description
5-691-0008-1C4	Corri-Lok Cyclone Plate Climaseal 4
5-692-0004-5	Corri-Lok Cyclone Plate Stainless Steel

#### Application:

Buildex® Corri-Lok® Cyclone Plates are used with Hex Washer Type 17, Cyclonic RoofZips® and Teks® in conjunction with corrugated sheet profile in cyclonic and high wind areas.

#### Recommended for:

Fixing Corrugated Profile to timber, purlins and steel battens.

Crest fixing Corrugated roofing profiles to timber, purlins and steel battens.

Refer to the specific fastener and Corri-Lok® washer assembly data sheets for the particular sheet profile to host material application details.

***This product is not recommended for valley fixing sheet profile.***

#### Material:

**Cyclone Plate:** Zinalume® or Stainless Steel Grade 304

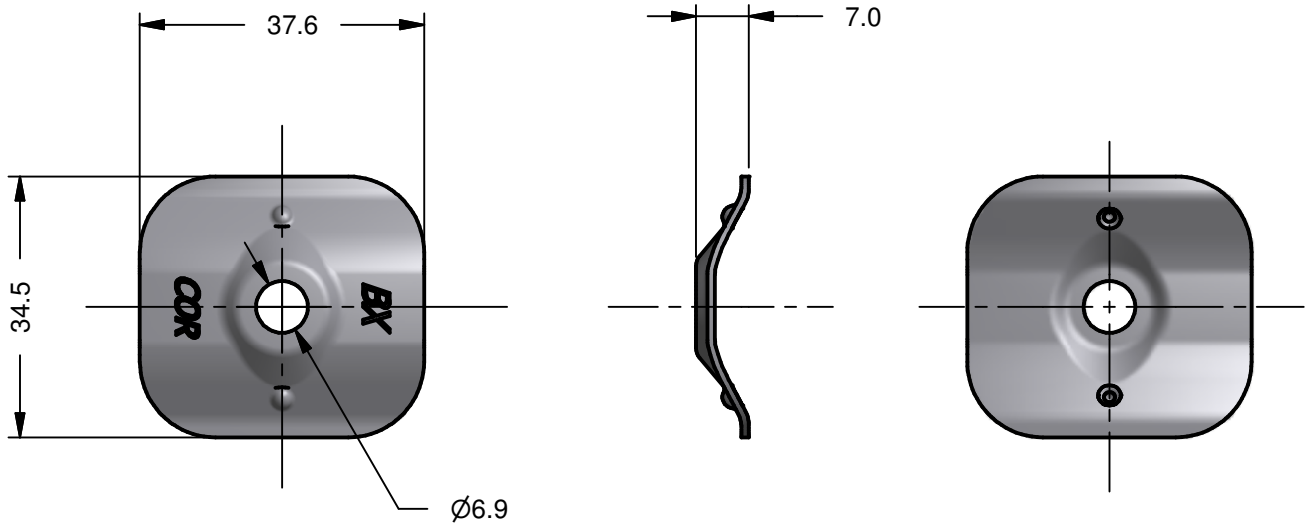
**Sealing Washers:** Non Conductive EPDM. Refer Product Data Sheet 98004-PDS for Sealing Washer details

#### Corrosion Performance:

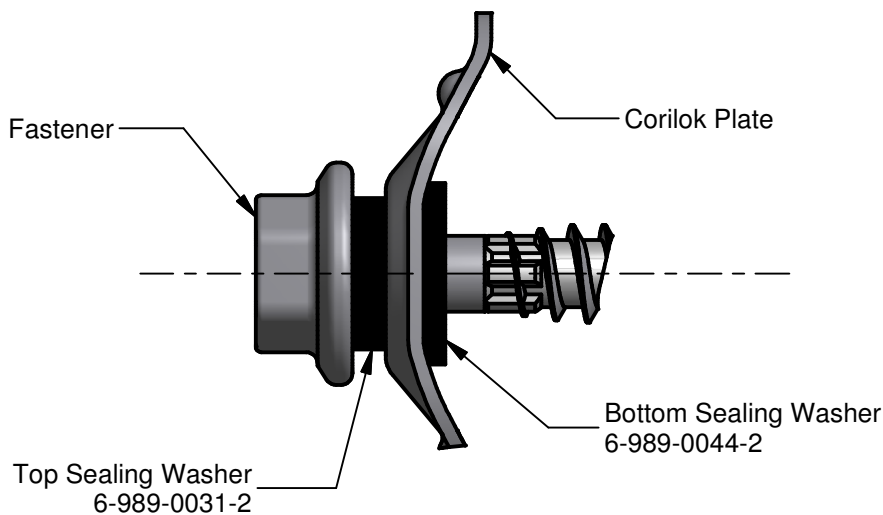
The Buildex® Corri-Lok® Cyclone Plate complies to Australian Standards AS3566.2 Class 4

## Product Technical Data Sheet

### Corri-Lok Cyclone Plate



All dimensions nominal unless otherwise stated. Normal manufacturing tolerances apply.



Typical CorriLok Assembly ( 2 : 1 )

Buildex® Head Office  
600 South Road  
Moorabbin Victoria 3189  
Australia  
1300 368 101  
CustomerService-MBN@buildex.com.au

Buildex® Middle Eastern Sales Office  
middleeastsales@buildex.com.au

Technical Help Desk  
Technicalhelpdesk@buildex.com.au