

Product Technical Data Sheet

Square-Lok Cyclone Plate

Part Number	Description
5-691-0010-2C4	Square-Lok Cyclone Plate Climaseal 4
5-692-0005-7	Square-Lok Cyclone Plate Stainless Steel

Application:

Buildex® Square-Lok® Cyclone Plates are used with Hex Washer Type 17, Cyclonic RoofZips® and Teks® in conjunction with Square Rib sheet profile in cyclonic and high wind areas.

Recommended for:

Fixing Square Rib Profile to timber, purlins and steel battens.

Crest fixing Square Rib roofing profiles to timber, purlins and steel battens.

Refer to the specific fastener and Square-Lok® washer assembly data sheets for the particular sheet profile to host material application details.

This product is not recommended for valley fixing sheet profile.

Material:

Cyclone Plate: Zinalume® or Stainless Steel Grade 304

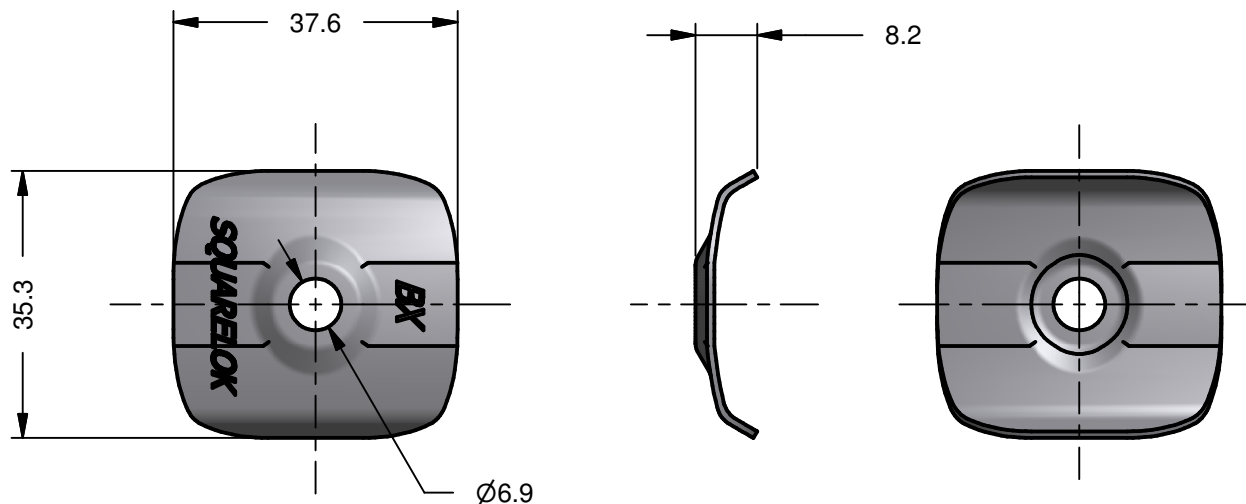
Sealing Washers: Non Conductive EPDM. Refer Product Data Sheet 98004-PDS for Sealing Washer details

Corrosion Performance:

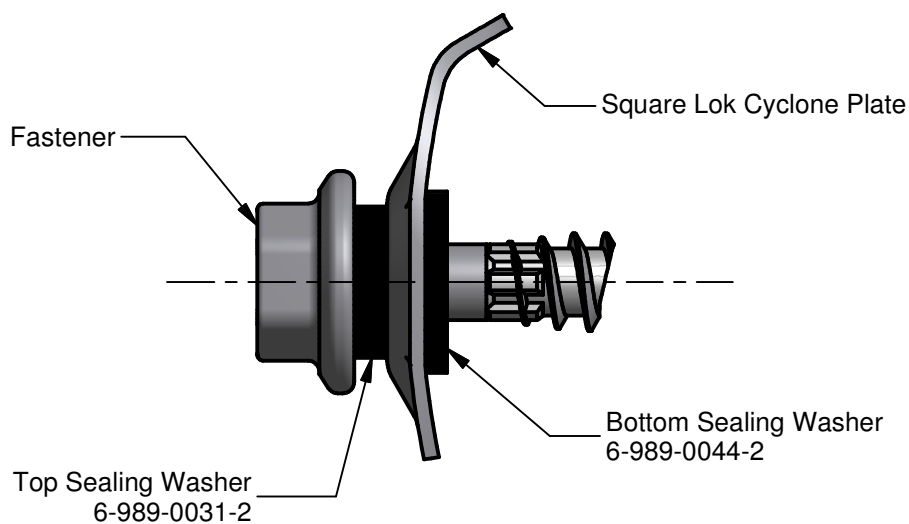
The Buildex® Square-Lok® Cyclone Plate complies to Australian Standards AS3566.2 Class 4

Product Technical Data Sheet

Square-Lok Cyclone Plate



All dimensions nominal unless otherwise stated. Normal manufacturing tolerances apply.



Typical Square Lok Assembly (2 : 1)

Buildex® Head Office
600 South Road
Moorabbin Victoria 3189
Australia
1300 368 101
CustomerService-MBN@buildex.com.au

Buildex® Middle Eastern Sales Office
middleeastsales@buildex.com.au

Technical Help Desk
Technicalhelpdesk@buildex.com.au