

Product Technical Data Sheet

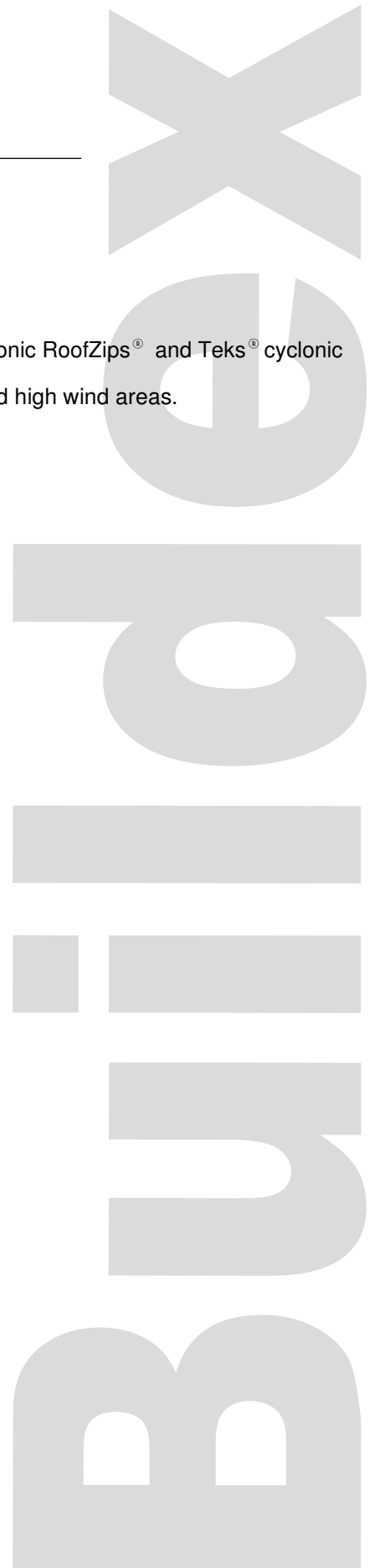
Kliplok / SuperSeal Sealing Washer

Part Number	Description
6-989-0022-3	Kliplok Sealing Washer

Application:

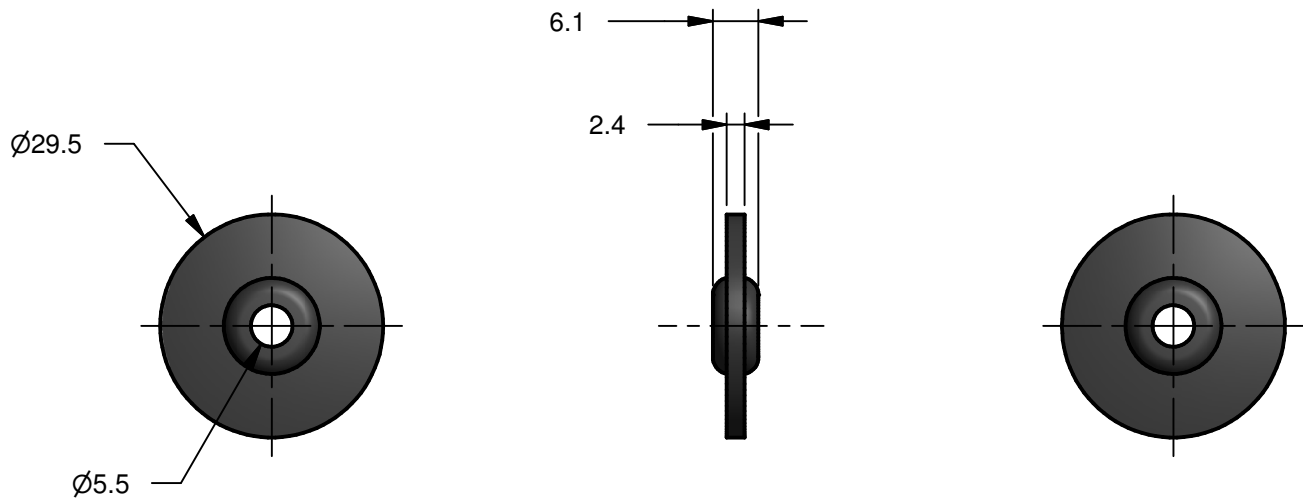
Buildex® Kliplok® sealing washers are used in the Hex Washer Type 17, Cyclonic RoofZips® and Teks® cyclonic assemblies providing a water proof seal for Hi Rib sheet profiles in cyclonic and high wind areas.

Material: Non Conductive EPDM



Product Technical Data Sheet

Kliplok / SuperSeal Sealing Washer



All dimensions nominal unless otherwise stated. Normal manufacturing tolerances apply.

Buildex® Head Office
600 South Road
Moorabbin Victoria 3189
Australia
1300 368 101
CustomerService-MBN@buildex.com.au

Buildex® Middle Eastern Sales Office
middleeastsales@buildex.com.au

Technical Help Desk
Technicalhelpdesk@buildex.com.au