

Product Technical Data Sheet

14 -14 PolyZips Polycarbonate Roofing Screw

Part Number	Description	Pack Qty	Pallet Qty
6-030-0316-6CS	14-14 x 50 PolyZips Polycarbonate Roofing Screw	500	13,500
6-030-0350-1CS	14-14 x 65 PolyZips Polycarbonate Roofing Screw	500	13,500

Application:

Buildex® 14 -14 PolyZips® Polycarbonate Roofing Screws are designed for crest pierce fixing polycarbonate roof sheets to top hat and timber battens. Typical applications are pergolas, outdoor entertainment areas and skylights.

Drilling Capacity:

Steel Batten / Stud - 0.55 mm ~ 1.20 mm | Timber - Pine and Hardwood

Installation Instructions:

1. Use a Buildex® $\frac{5}{16}$ Hex Hexagon Driver Bit (1-991-1366-9).
2. Use a mains powered or cordless screw driver with a 2,500 RPM speed.
3. Fit the hex driver bit over the screw and place at the fastening position.
4. Apply consistently firm pressure (end load) to the screw driver until the screw has drilled and fastened.

Material: Carbon Steel SAE 1022

Heat Treatment: To AS 3566.1

Finish: Climaseal® 3

Mechanical Properties:

Single Shear Strength (N) 11,100 | Axial Tensile Strength (N) 20,500 | Torsion Strength (Nm) 19.6

Pullout Values:

0.55 mm Batten 1,520 | 0.75 mm Batten 2,480 | 1.2 mm Stud 3,280

*F7 (Pine) Timber (N) 4,300 | Into F17 (Hardwood) Timber (N) 6,570

All values are averages obtained under laboratory conditions and appropriate safety factors should be applied for design purposes.

These figures are applicable to Buildex® head marked product only.

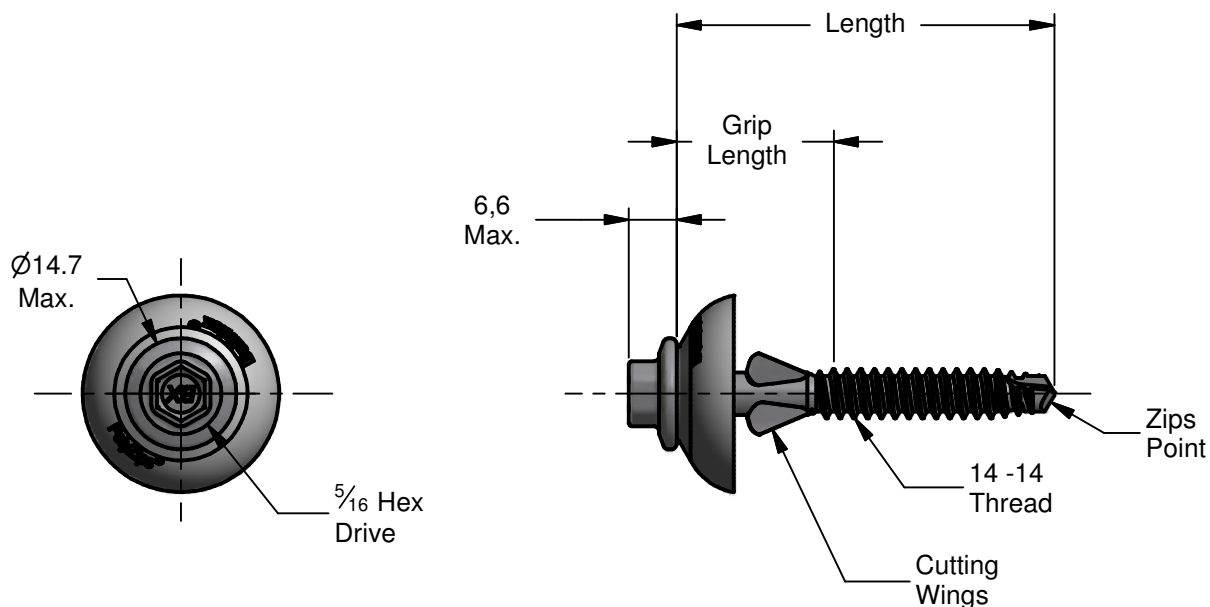
*Timber values are at 35.0 mm embedment.

Corrosion Performance:

Buildex® 14-14 PolyZips® Polycarbonate Roofing Screw complies to Australian Standards AS3566.2 Class 3

Product Technical Data Sheet

14 -14 PolyZips Polycarbonate Roofing Screw



Description	Length	Grip Length
14-14 x 50 PolyZips Polycarbonate Roofing Screw	48.5 / 50.0	22.5 Min.
14-14 x 65 PolyZips Polycarbonate Roofing Screw	63.5 / 65.0	37.5 Min.

All dimensions nominal unless otherwise stated. Normal manufacturing tolerances apply.

Buildex® Head Office
 600 South Road
 Moorabbin Victoria 3189
 Australia
 1300 368 101
 CustomerService-MBN@buildex.com.au
 Technical Help Desk
 Technicalhelpdesk@buildex.com.au