

Product Technical Data Sheet

Multigrip Rivets Aluminium Body Steel Mandrel

Part Number	Description	Pack Qty	Carton Qty
0264032	ABMG 4-1/3 Alumimium Body / Steel Mandel	1000	10,000
0264031	ABMG 4-1/3 Alumimium Body / Steel Mandel	100	500
0265032	ABMG 5-1/3 Alumimium Body / Steel Mandel	500	5,000
0265031	ABMG 5-1/3 Alumimium Body / Steel Mandel	100	500

Application:

Buildex® Multigrip rivets are designed general purpose application such as guttering, fascia, garden sheds and roller doors.

Material Capacity (Grip Range):

0.8 mm to 4.8 mm

Features:

Multigrip Design

Colour Match

Benefits:

Replaces up to three standard open end rivets.

Suit standard roofing sheet colours

Installation Instructions:

1. Drill a hole to the required size to suit the rivet thru the material.
2. Insert the rivet mandel into the rivet tool making sure the correct nose piece is in the rivet tool.
3. Place the rivet into the drilled hole and squeeze the plier once or twice till the mandel breaks.
4. Open the plier and turn the rivet tool upside down until the mandel falls out.

Material: Body: Aluminium Alloy | Mandel : Carbon Steel

Mechanical Properties:

ABMG4-1/3

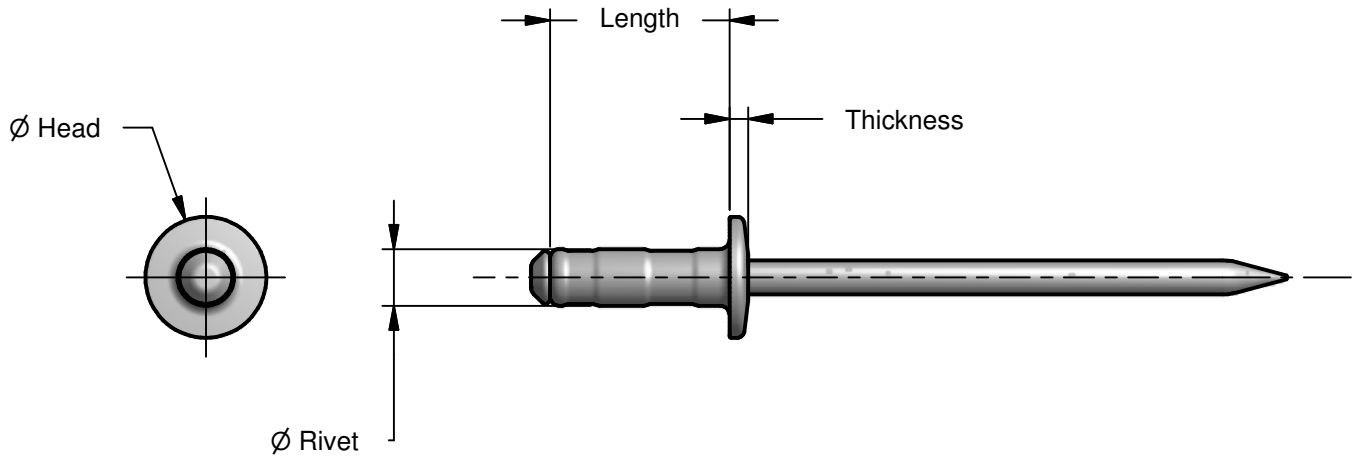
Single Shear Strength (N) 857 | Axial Tensile Strength (N) 1309

ABMG5-1/3

Single Shear Strength (N) 1380 | Axial Tensile Strength (N) 1535

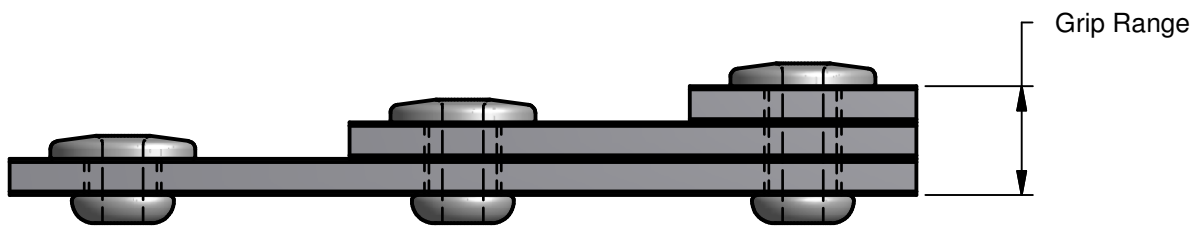
Product Technical Data Sheet

Multigrip Rivets Aluminium Body Steel Mandrel



Description	Rivet Dia	Length	Grip Range	Head Dia	Thickness	Hole Size
ABMG 4-1/3	1/8" (3.2 mm)	8.0	0.8 ~ 4.8	6.4	1.2 Max	3.3 ~ 3.4 (# 30 Drill)
ABMG 5-1/3	5/32" (4.0mm)	8.0	0.8 ~ 4.8	7.9	1.5 Max	4.1 ~ 4.2 (# 20 Drill)

All dimensions nominal unless otherwise stated. Normal manufacturing tolerances apply.



Buildex® Head Office
 600 South Road
 Moorabbin Victoria 3189
 Australia
 1300 368 101
 CustomerService-MBN@buildex.com.au

Buildex® Middle Eastern Sales Office
 middleeastsales@buildex.com.au

Technical Help Desk
 Technicalhelpdesk@buildex.com.au