

Product Technical Data Sheet

M5.5 (12g) -8 x 20.0 Flat Head TekS® Steel Frame and Truss Screw

Part Number	Description	Pack Qty	Pallet Qty
6-311-0710-1CC	M5.5 (12g) -8 x 20 Flat Head TekS Screw Climacoat	1,000	288,000
6-318-0710-1CC	M5.5 (12g) -8 x 20 Flat Head TekS Screw Climacoat Collated	1,000 / 10,000	240,000
6-311-0710-1MP	M5.5 (12g) -8 x 20 Flat Head TekS Screw Class 3	1,000	288,000

Application:

Buildex® M5.5 (12g) -8 x 20 Flat Head Truss and Frame TekS® Screw is used for the assembly of steel roof trusses, floor trusses and steel wall frames, wall bracing, door and window lintels and as companion screws in roof and floor trusses.

The product does not require a pre punched hole but can be used with pre punched holes \varnothing 5,0 mm or smaller.

Drilling Capacity:

Total material thickness 1,5mm ~ 4,0 mm

Features:

No. 3 Phillips Drive
Underhead serrations
M5.5 (12g) -8 Thread
M5.5 (12g) Thread
2 Start Thread
TekS® Point

Benefits:

Reduces camout and recess damage
Higher resistance to loosening and a higher strip torque.
For maximum pullout strength and a higher strip torque.
High single shear and torsional strength.
For quick installation and stability.
Does not require a pre-punched hole.

Installation Instructions:

1. Use the number 3 Phillips Cross Recess Driver Bit (Buildex® Part Number 6-991-0395)
2. Use a mains powered or cordless screw driver with a 2,500 RPM speed.
3. Fit the Phillips driver bit into the screw and place at the fastening position.
4. Apply consistently firm pressure (end load) to the screw driver until the screw has fastened.

Material: Carbon Steel SAE 1022 | **Heat Treatment:** To AS 3566.1 | **Finish:** Climacoat® | Climaseal® 3

Mechanical Properties:

Single Shear Strength (N) 8,800 | Axial Tensile Strength (N) 15,300 | Torsion Strength 13.2.0 N-m

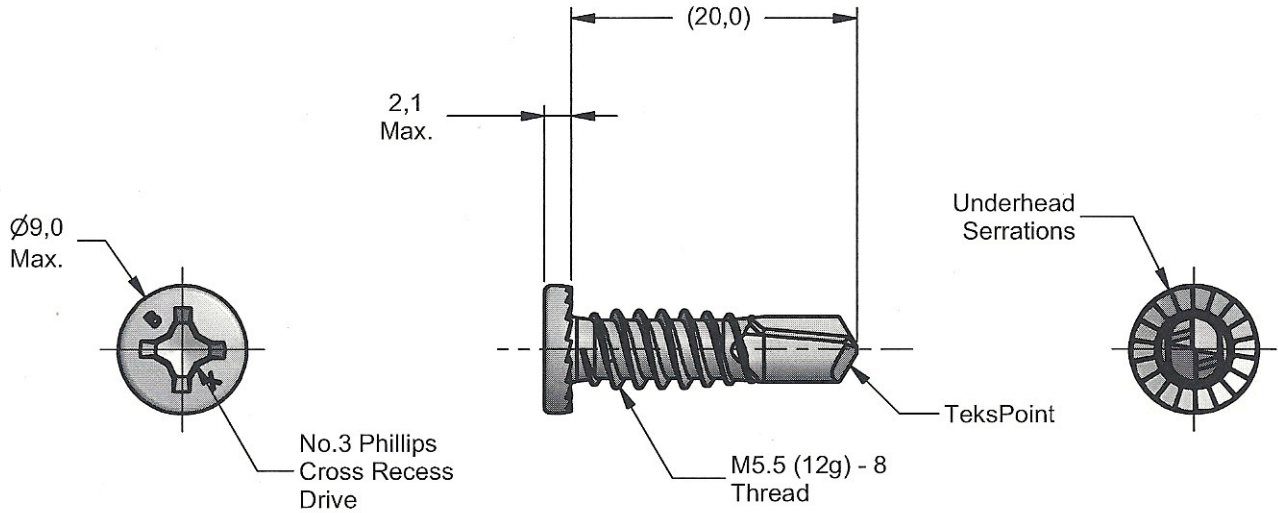
All values are averages obtained under laboratory conditions and appropriate safety factors should be applied for design purposes.
These figures are applicable to Buildex® head marked product only.

Corrosion Performance:

Climacoat® product complies to 1000 Hours Salt Spray Testing when tested in accordance to As 2331.3.1
Climaseal® 3 Product complies to Australian Standards AS3566.2 Class 3

Product Technical Data Sheet

M5.5 (12g) -8 x 20.0 Flat Head Teks® Steel Frame and Truss Screw



All dimensions nominal unless otherwise stated. Normal manufacturing tolerances apply.

Buildex® Head Office
600 South Road
Moorabbin Victoria 3189
Australia
1300 368 101
CustomerService-MBN@buildex.com.au

Buildex® Middle Eastern Sales Office
middleeastsales@buildex.com.au

Technical Help Desk
Technicalhelpdesk@buildex.com.au