

Product Technical Data Sheet

M4.8 (10g) - 16 x 20.0 Flat Head Tek® Steel Frame Screw

Part Number	Description	Pack Qty	Pallet Qty
6-311-0675-5CC	M4.8 (10g) - 16 x 20.0 Flat Head Tek® Climacoat	1,000	432,000
6-318-0675-5CC	M4.8 (10g) - 16 x 20.0 Flat Head Tek® Climacoat Collated	1,000 / 10,000	240,000

Application:

Buildex® M4,8 (10g) -16x 20 Flat Head Tek® Screw is used for the assembly of steel wall frames, wall bracing, door and window lintels.

The product does not require a pre punched hole but can be used with pre punched holes \varnothing 4,1 mm or smaller.

Features:

Low Profile Head
No. 2 Phillips Drive
Underhead serrations
M4.8 (10g) -16 Thread
M4.8 (10g) -16 Thread
Tek® Point

Benefits:

To it flush or below the top of the frame dimple.
Reduces camout and recess damage
Higher resistance to loosening and a higher strip torque.
For maximum pullout strength and a higher strip torque.
High single shear and torsional strength.
Does not require a pre-punched hole.

Drilling Capacity:

Steel - 1,0 mm ~ 4,0 mm

Installation Instructions:

1. Use a Number 2 Phillips Driver Bit (Buildex® Part Number 1-991-1210-3).
2. Use a mains powered or cordless screw driver with a 2,500 RPM speed.
3. Fit the Phillips driver bit into the screw and place at the fastening position.
4. Apply consistently firm pressure (end load) to the screw driver until the screw has drilled and fastened.

Material: Carbon Steel SAE 1022 | **Heat Treatment:** To AS 3566.1 | **Finish:** Climacoat®

Mechanical Properties:

Single Shear Strength (N) 6,800 | Axial Tensile Strength (N) 11,900 | Torsion Strength (Nm) 8.4

Pullout Values (N):

Rondo 1,2 mm: 1,900

Steel G300

1,0 mm: 1,800 | 1,2 mm: 2,500 | 1,5 mm: 4,300 | 1,9 mm: 4,900 | 2,4 mm: 7,000 | 3,2 mm: 8,400

Steel G450

1,0 mm: 2,800 | 1,2 mm: 3,500 | 1,5 mm: 4,300 | 1,9 mm: 5,800 | 2,4 mm: 8,300 | 3,2 mm: 9,500

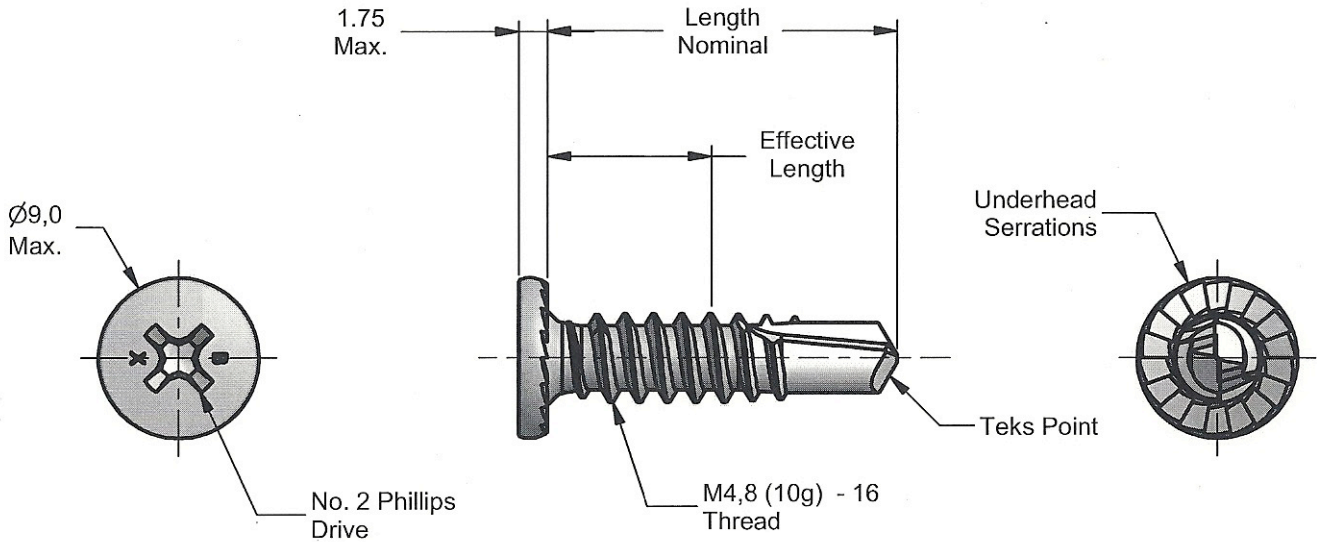
All values are averages obtained under laboratory conditions and appropriate safety factors should be applied for design purposes.
These figures are applicable to Buildex® head marked product only.

Corrosion Performance:

The M4,8 -18x 20 Flat Head Tek® with Climacoat® complies to 1000 Hours Salt Spray Testing when tested in accordance to As 2331.3.1

Product Technical Data Sheet

M4.8 (10g) - 16 x 20.0 Flat Head Teks® Steel Frame Screw



Description	Length	Effective Length
M4.8 (10g) -16x 20 Flat Head Teks	18.5 / 20.0	7.25 min.

All dimensions nominal unless otherwise stated. Normal manufacturing tolerances apply.

Buildex® Head Office
 600 South Road
 Moorabbin Victoria 3189
 Australia
 1300 368 101
 CustomerService-MBN@buildex.com.au

Buildex® Middle Eastern Sales Office
 middleeastsales@buildex.com.au

Technical Help Desk
 Technicalhelpdesk@buildex.com.au