

Product Technical Data Sheet

14 -12 Truss / Plate Connecting Screw

Part Number	Description	Pack Qty
6-311-0877-7CS	14 -12 x 42 Hex Head Teks Climaseal 3	300 / 900

Pallet Qty
64,800

Application:

Buildex® 14-12 Hex Head Teks are used for fixing roof trusses to top plates.

Drilling Capacity:

Steel 0.75 mm ~ 1.2 mm single and double thickness.

Installation Instructions:

1. Use a 5/16 Hex Hexagon Driver Bit 1-991-1366-9
2. Use a mains powered or cordless screw driver with a 3,000 RPM speed max.
3. Fit the hex driver bit over the screw and place at the fastening position.
4. Apply consistently firm pressure (end load) to the screw driver until the screw has drilled and fastened.

Material: Carbon Steel SAE 1022 | **Heat Treatment:** To AS 3566.1 | **Finish:** Climaseal 3

Mechanical Properties:

Single Shear Strength (N) 8,670 | Axial Tensile (N) 18,760 | Torsion Strength 17.70 N-m

Pullout Values (N):

0.75mm Frame Section 2,716 | 1.0mm Frame Section 3,500 | Steel Stud Frame Section 1.2mm: 3,240

All values are averages obtained under laboratory conditions and appropriate safety factors should be applied for design purposes.

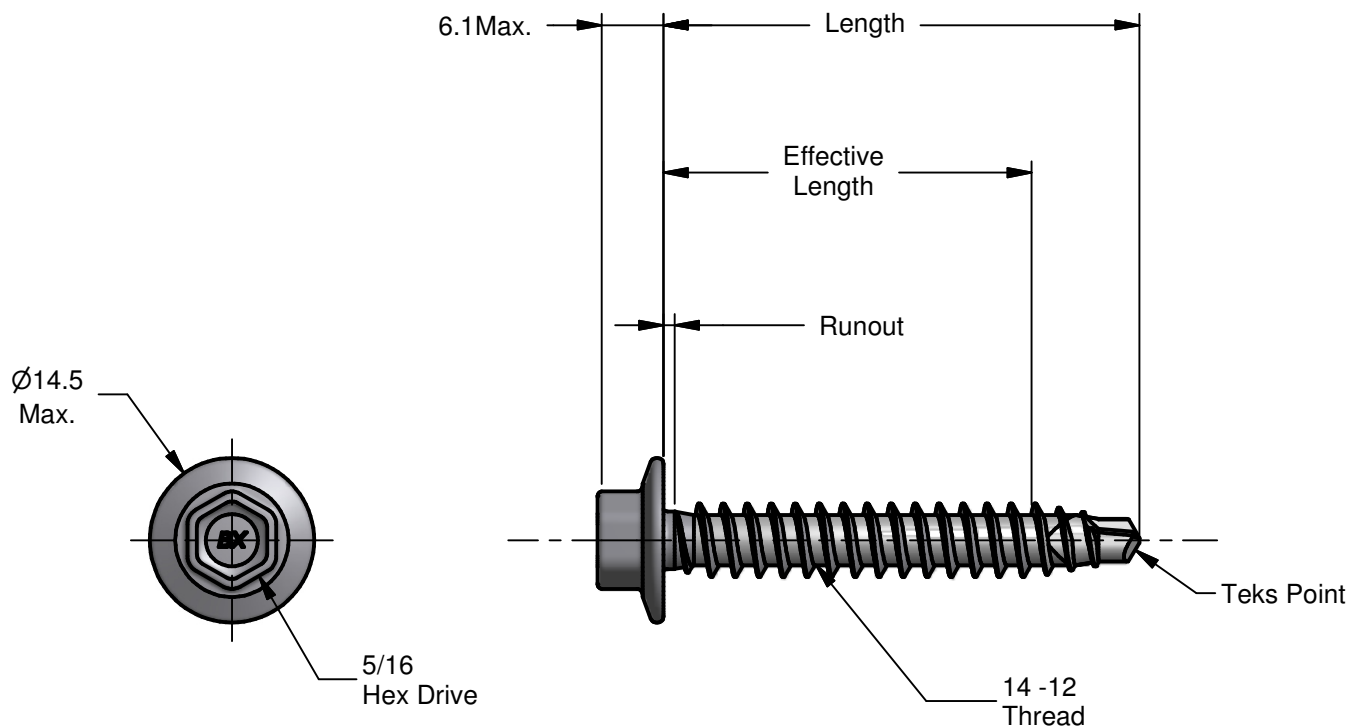
These figures are applicable to Buildex® head marked product only.

Corrosion Performance:

Buildex® 14 -12 x 42 Hex Head Teks Climaseal® 3 complies to Australian Standards AS3566.2 Class 3

Product Technical Data Sheet

14 -12 Truss / Plate Connecting Screw



Part Number	Description	Length	Runout	Effective Length
6-311-0877-7CS	14-12 x 42 Hex Hex Head Teks Climaseal 3	40.5 / 40.0	0.8 Max.	33.0 Min.

All dimensions nominal unless otherwise stated. Normal manufacturing tolerances apply.

Buildex® Head Office
 600 South Road
 Moorabbin Victoria 3189
 Australia
 1300 368 101
 CustomerService-MBN@buildex.com.au

Buildex® Middle Eastern Sales Office
 middleeastsales@buildex.com.au

Technical Help Desk
 Technicalhelpdesk@buildex.com.au