

## Product Technical Data Sheet

### M6.0 x1P x 22,0 Hex Washer Gx Teks® Steel Roof and Floor Truss Screw

Part Number	Description	Pack Qty	Pallet Qty
6-371-0002-2CS	M6.0 x1P x 22,0 Hex Washer Gx Teks® Steel Roof and Floor Truss Screw	5,000	420,000

#### Application:

Buildex® M6 GX Teks® Screw is used for the assembly of steel roof trusses and floor trusses.

The product does not require a pre punched hole but can be used with pre punched holes  $\varnothing$  5,0 mm or smaller.

Used as companion screws in roof and floor trusses.

#### Features:

Underhead serrations

GX Thread Feature

M6 Thread

Teks® Point

#### Benefits:

Higher resistance to loosening and a higher strip torque.

Ensures maximum pullout strength and a higher strip torque.

High single shear and torsional strength.

Does not require a pre-punched hole.

#### Installation Instructions:

1. Use a Buildex®  $\frac{5}{16}$  Hex Head Driver Bit (1-991-1366-9)
2. Use a mains powered or cordless screw driver with a 2,500 RPM speed.
3. Fit the  $\frac{5}{16}$  driver bit into the screw and place at the fastening position.
4. Apply consistently firm pressure (end load) to the screw driver until the screw has fastened.

**Material:** Carbon Steel SAE 1022 | **Heat Treatment:** To AS 3566.1 | **Finish:** To Climaseal 3

#### Mechanical Properties:

Single Shear Strength (N) 12,400 | Torsion Strength 16.0 N-m

#### Pullout Values (N) into steel frame section (MM):

Steel Frame Section 0.75: 1,785 | Steel Frame Section 1.00: 2,835 | Steel Frame Section 1.20: 3,545

All values are averages obtained under laboratory conditions and appropriate safety factors should be applied for design purposes.

These figures are applicable to Buildex head marked product only.

#### Corrosion Performance:

M6 x 22 Hex Washer Gx Teks Frame Screw complies to Australian Standards AS3566.2 Class 3

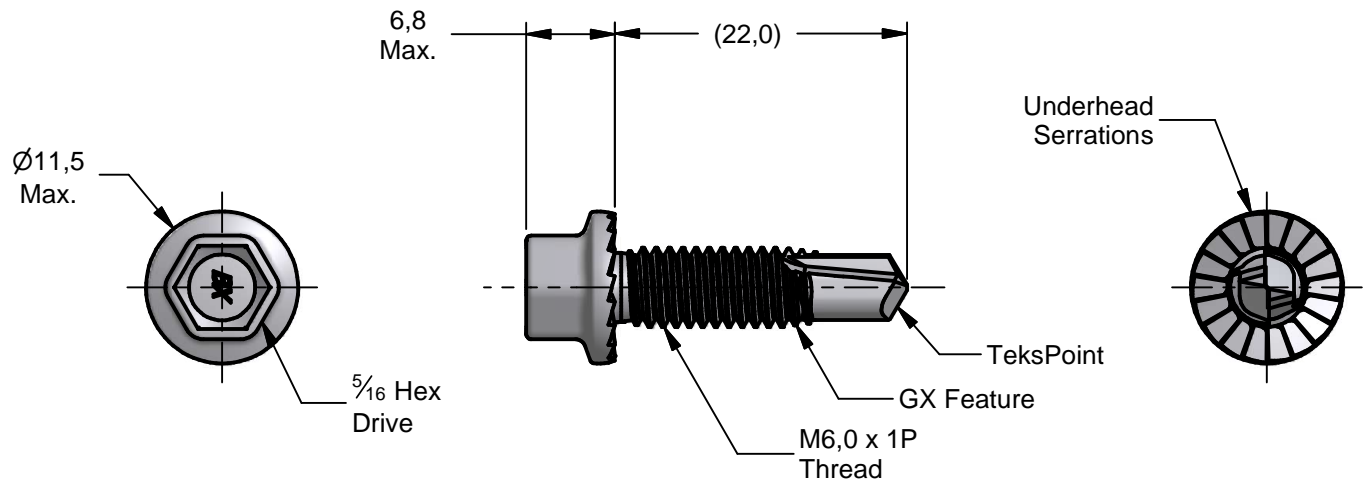
#### Recommended Material Thickness:

Steel Section 0.55 x 2 | Steel Section 0.75 x 2 | Steel Section 1.00 x 2

Steel Section 1.20 and above: contact your Buildex Sales Representative

## Product Technical Data Sheet

M6.0 x1P x 22,0 Hex Washer Gx TekS® Steel Roof and Floor Truss Screw



All dimensions nominal unless otherwise stated. Normal manufacturing tolerances apply.

Buildex® Head Office  
600 South Road  
Moorabbin Victoria 3189  
Australia  
1300 368 101  
CustomerService-MBN@buildex.com.au

Buildex® Middle Eastern Sales Office  
middleeastsales@buildex.com.au

Technical Help Desk  
Technicalhelpdesk@buildex.com.au