

Product Technical Data Sheet

14-20 Hex Washer Tek®

Part Number	Description	Pack Qty	Pallet Qty
6-311-3082-9C4	14-20 x 65 Hex Tek® Climaseal® 4	1,000	84,000
6-310-3035-4C4	14-20 x 65 Hex Tek® Climaseal® 4 with Seal	1,000	84,000

Application:

Buildex® 14-20 Hex Washer Tek® Screw is used for fixing metal to metal.

Drill Capacity:

Steel 1,2 mm ~ 2,4 x 2 | 3,0 ~ 6,00 mm HRS | Square Steel Tube 3,0 ~ 5,0 mm

Features:

Hex Drive
Tek® Point
Finish

Benefits:

For positive drive under high installation torque
For drilling into steel while ensuring maximum pullout strength and a high strip torque.
Corrosion performance Climaseal 4 to suit the application.

Installation Instructions:

1. Use a Buildex® 3/8 Hex Head Driver Bit (Part 1-991-1370)
2. Use a mains powered or cordless screw driver with a 2,500 RPM speed.
3. Fit the driver bit into the screw and place at the fastening position.
4. Apply consistently firm pressure (end load) to the screw driver until the screw has fastened.

Material: Carbon Steel SAE 1022 | **Heat Treatment:** To AS 3566.1 | **Finish:** Climaseal® 4

Mechanical Properties:

Single Shear Strength (N) 11,200 | Axial Tensile (N) 21,200 | Torsion Strength 20,40 N-m

Pullout Values (N):

Steel Purlin 1,2: 2,100 | Steel Purlin 1,5: 4,200 | Steel Purlin 1,9: 5,700 | Steel Purlin 2,4: 7,700

HRS 3,0 : x,xxx | HRS 6,0: x,xx | Square Steel Tube: 3,00: x,xx | Square Steel Tube: 5,00: x,xx

All values are averages obtained under laboratory conditions and appropriate safety factors should be applied for design purposes.

These figures are applicable to Buildex® head marked product only.

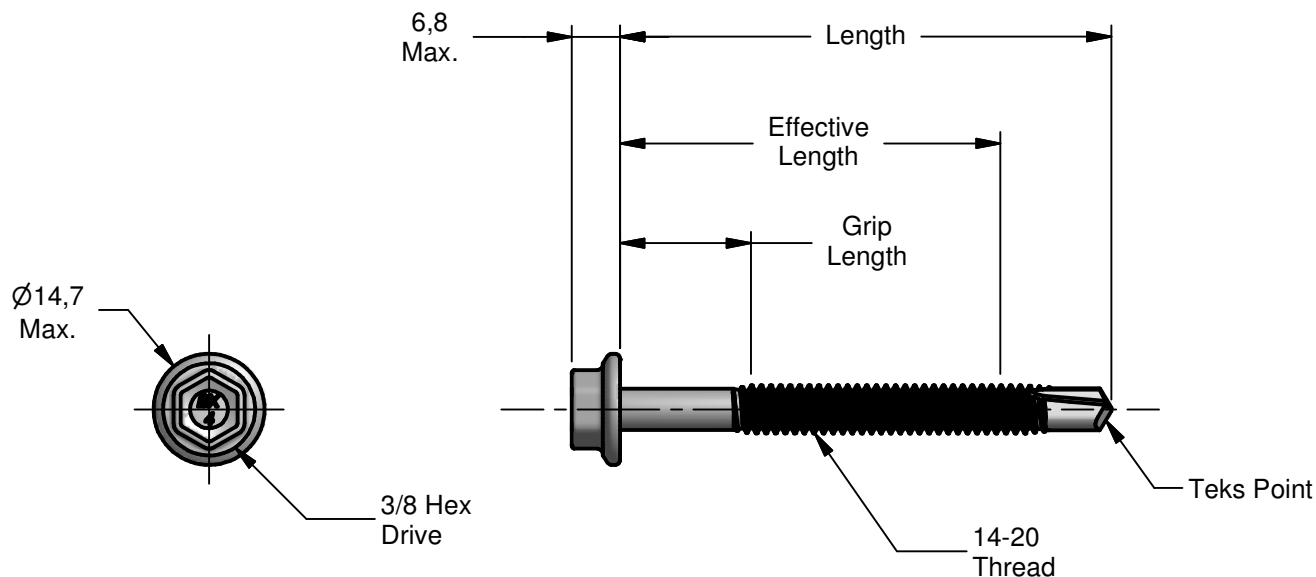
Corrosion Performance:

14-20 Hex Tek® Screw complies to Australian Standards AS3566.2 Class 4

Specify your corrosion performance requirements when ordering.

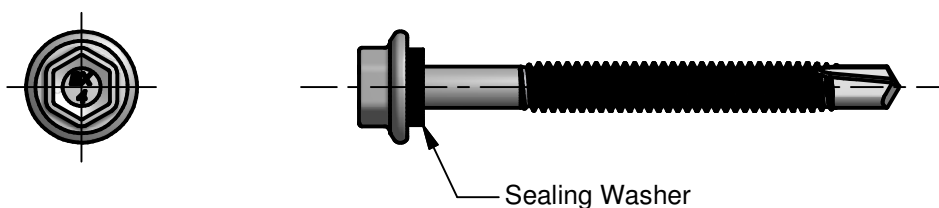
Product Technical Data Sheet

14-20 Hex Washer Tek®



Description	Length	Grip Length	Effective Length
14-20 x 65 Hex Washer Tek® Climaseal® 4	63.5 / 65.0	15.0 / 20.0	50.5 Min

All dimensions nominal unless otherwise stated. Normal manufacturing tolerances apply.



Buildex® Head Office
 600 South Road
 Moorabbin Victoria 3189
 Australia
 1300 368 101
 CustomerService-MBN@buildex.com.au

Buildex® Middle Eastern Sales Office
 middleeastsales@buildex.com.au

Technical Help Desk
 Technicalhelpdesk@buildex.com.au