

## Product Technical Data Sheet

### 12g -14 Hex Head TekS®

Part Number	Description	Pack Qty	Pallet Qty
6-311-0097-4CS	12-14 x 20 Hex Head TekS® Climaseal® 3	500 / 2,000	144,000
6-310-0070-1CS	12-14 x 20 Hex Head TekS® with Seal Climaseal® 3	500 / 2,000	144,000
6-311-3097-1C4	12-14 x 20 Hex Head TekS® Climaseal® 4	500 / 2,000	144,000
6-311-0481-2CS	12-14 x 25 Hex Head TekS® Climaseal® 3	500/ 2,000	144,000
6-311-0062-2CS	12-14 x 45 Hex Head TekS® Climaseal® 3	1,000	105,000
6-310-0481-2CS	12-14 x 25 Hex Head TekS® with Seal Climaseal® 3	500/ 2,000	144,000
6-310-0755-5CS	12-14 x 25 Hex Head TekS® with Seal Climaseal® 3	500/ 2,000	144,000
6-311-0473-5CS	12-14 x 30 Hex Head TekS® Climaseal® 3	1,000	114,000
6-310-0473-5CS	12-14 x 30 Hex Head TekS® with Seal Climaseal® 3	1,000	114,000
6-311-0768-8CS	12-14 x 38 Hex Head TekS® Climaseal® 3	1,000	105,000
6-310-0768-8CS	12-14 x 38 Hex Head TekS® with Seal Climaseal® 3	1,000	105,000

#### Application:

Buildex® 12-14 Hex Head TekS® Screw is used for fixing metal to metal.

#### Drill Capacity:

Steel 1,2 mm ~ 2,4 x 2

#### Features:

Hex Drive

TekS® Point

Finish

#### Benefits:

For positive drive under high installation torque

For drilling into steel while ensuring maximum pullout strength and a high strip torque.

Corrosion performance Climaseal® 3 or Climaseal® 4 to suit the application.

#### Installation Instructions:

1. Use a 5/16 Hex Head Driver Bit (Buildex® Part 1-991-1366-9)
2. Use a mains powered or cordless screw driver with a 2,500 RPM speed.
3. Fit the 5/16 driver bit into the screw and place at the fastening position.
4. Apply consistently firm pressure (end load) to the screw driver until the screw has fastened.

**Material:** Carbon Steel SAE 1022 | **Heat Treatment:** To AS 3566.1 | **Finish:** To Climaseal® 3 or Climaseal® 4

#### Mechanical Properties:

Single Shear Strength (N) 8,800 | Axial Tensile (N) 15,300 | Torsion Strength 13,20 N-m

#### Pullout Values (N):

Steel Purlin 1,2: 2,200 | Steel Purlin 1,5: 4,080 | Steel Purlin 1,9: 5,420 | Steel Purlin 2,4: 7,360

All values are averages obtained under laboratory conditions and appropriate safety factors should be applied for design purposes.

These figures are applicable to Buildex® head marked product only.

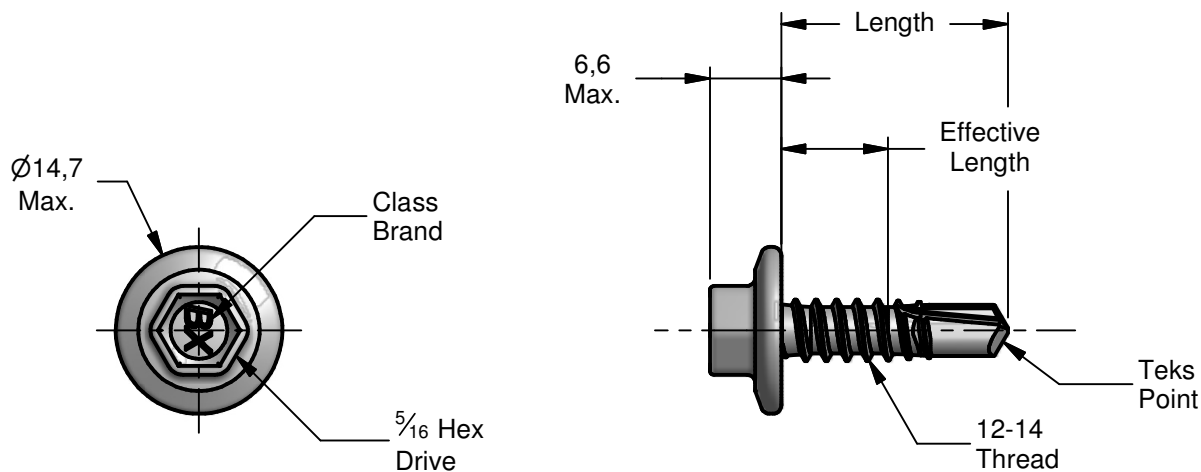
#### Corrosion Performance:

12-14 Hex Head TekS® Screw with Climaseal® 3 and Climaseal® 4 complies to Australian Standards AS3566.2 Class 3 and Class 4 respectively.

Specify your corrosion performance requirements when ordering.

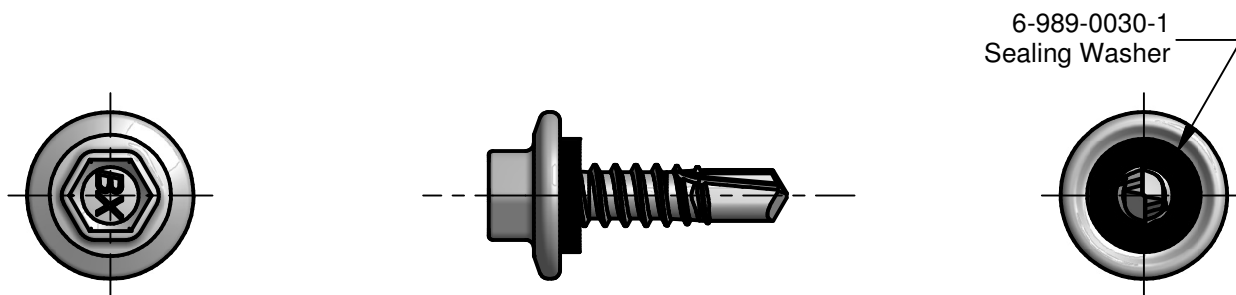
## Product Technical Data Sheet

### 12g -14 Hex Head TekS®



Description	Length	Effective Length
12-14 x 20 Hex Head TekS®	20.0	8.0 Min.
12-14 x 25 Hex Head TekS®	25.0	13.0 Min.
12-14 x 30 Hex Head TekS®	30.0	18.0 Min.
12-14 x 38 Hex Head TekS®	38.0	26.0 Min.
12-14 x 45 Hex Head TekS®	45.0	33.0 Min.

All dimensions nominal unless otherwise stated. Normal manufacturing tolerances apply.



Buildex® Head Office  
 600 South Road  
 Moorabbin Victoria 3189  
 Australia  
 1300 368 101  
 CustomerService-MBN@buildex.com.au

Buildex® Middle Eastern Sales Office  
 middleeastsales@buildex.com.au

Technical Help Desk  
 Technicalhelpdesk@buildex.com.au