

Product Technical Data Sheet

14-10 x 68mm and 78mm Hex Head Tekes®

| Part Number | Description | Pack Qty | Pallet Qty |
|----------------|---|----------|------------|
| 6-311-3149-5C4 | 14-10 x 68mm Hex Head Tekes, Climaseal 4 | 1000 | 60,000 |
| 6-311-3322-2C4 | 14-10 x 78mm Head Tekes, Climaseal 4 | 500 | 42,000 |
| 6-310-3124-9C4 | 14-10 x 68mm Hex Head Tekes with Seal, Climaseal 4 | 1000 | 60,000 |
| 6-310-3322-3C4 | 14-10 x 78mm Hex Head Tekes with Seal, Climaseal 4 | 500 | 42,000 |
| 6-310-3576-5C4 | 14-10 x 68mm Hex Head Tekes with SquareLok Plate, Climaseal 4 | 250 | 18,000 |
| 6-310-3108-2C4 | 14-10 x 68mm Hex Head Tekes with KlipLok Plate, Climaseal 4 | 250 | 26,250 |
| 6-310-3351-2C4 | 14-10 x 78mm Hex Head Tekes with KlipLok Plate, Climaseal 4 | 200 | 16,800 |
| 6-310-3167-1C4 | 14-10 x 68mm Hex Head Tekes with MultiSeal, Climaseal 4 | 250 | 26,250 |
| 6-310-3341-8C4 | 14-10 x 78mm Hex Head Tekes with MultiSeal, Climaseal 4 | 250 | 26,250 |

Application:

Buildex® 14-10 x 68 and 78 mm Hex Head Tekes® Screw is used for crest fixing Roof Sheets to steel purlins. The product is available with an EDPM Seal, Multi Seal assembly, Corn-Lok® and Square-Lok®, Cyclone assemblies.

Drill Capacity:

Steel 1.2 mm ~ 2.4 mm x 2

Features:

Hex Drive
Tekes® Point
Finish

Benefits:

For positive drive under high installation torque
For drilling into steel while ensuring maximum pullout strength and a high strip torque.
Corrosion performance Climaseal® 4

Installation Instructions:

1. Use a Buildex® 3/8 Hex Head Driver Bit (1-991-1370-4)
2. Use a mains powered or cordless screw driver with a 2,500 RPM speed.
3. Fit the 3/8 driver bit into the screw and place at the fastening position.
4. Apply consistently firm pressure (end load) to the screw driver until the screw has fastened.

Material: Carbon Steel SAE 1022 **Heat Treatment:** To AS 3566.1 | **Finish:** Climaseal® 4

Mechanical Properties:

Single Shear Strength (N) 10,900 | Axial Tensile (N) 19,700 | Torsion Strength 18,50 N-m

Pullout Values (N):

Steel Purlin 1.2 mm: 2,600 | Steel Purlin 1.5 mm: 4,680 | Steel Purlin 1.9 mm: 6,500 | Steel Purlin 2.4 mm: 8,100

All values are averages obtained under laboratory conditions and appropriate safety factors should be applied for design purposes.

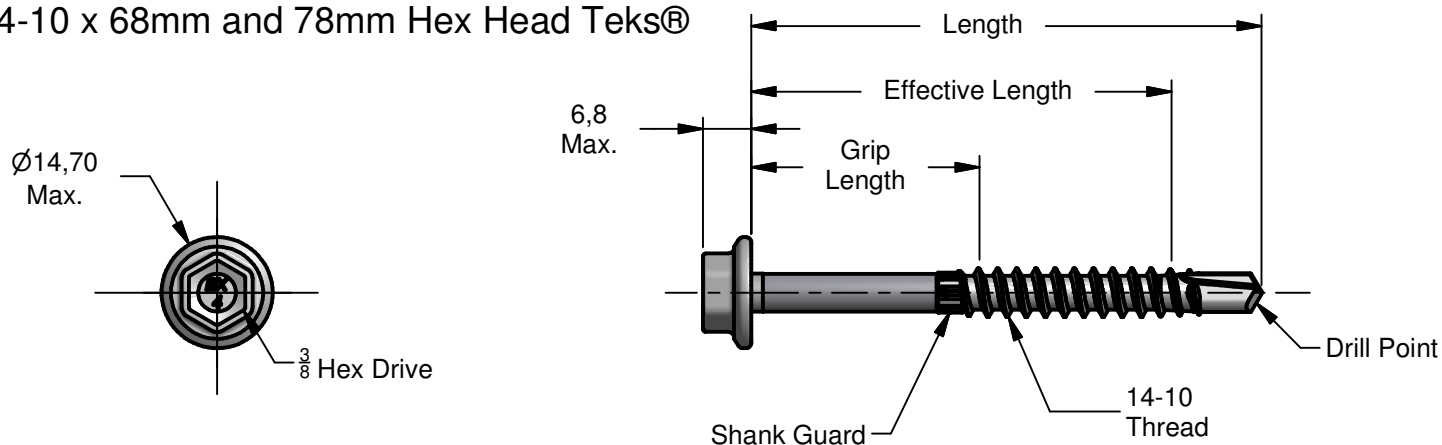
These figures are applicable to Buildex® head marked product only.

Corrosion Performance:

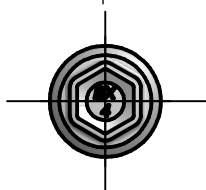
Buildex® 14-10 x 68 and 78 mm Hex Head Tekes® comply to Australian Standards AS3566.2 Class 4

Product Technical Data Sheet

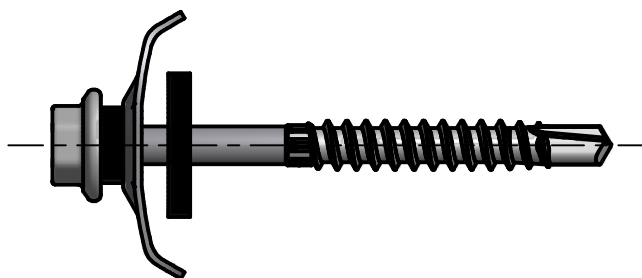
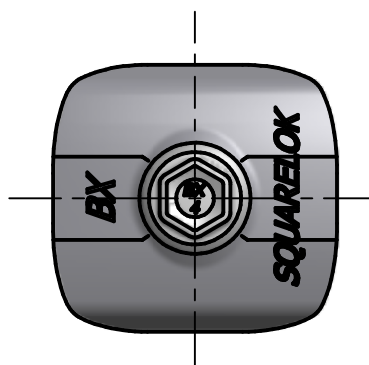
14-10 x 68mm and 78mm Hex Head TekS®



| Part Number | Description | Length | Grip Length | Effective Length |
|----------------|---------------------------|-------------|-------------|------------------|
| 6-311-3149-5C4 | 14-10 x 68 Hex Head TekS® | 66.5 / 68.0 | 29.5 / 31.5 | 50.0 Min. |
| 6-311-3322-2C4 | 14-10 x 78 Hex Head TekS® | 76.5 / 78.0 | 39.5 / 41.5 | 60.0 Min. |



| Part Number | Description |
|----------------|--|
| 6-310-3124-9C4 | 14-10 x 68 Hex Head TekS® with EDPM Seal |
| 6-310-3322-3C4 | 14-10 x 78 Hex Head TekS® with EDPM Seal |



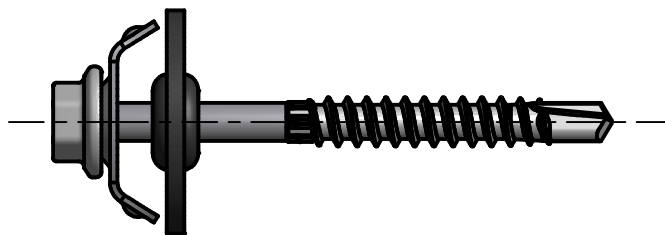
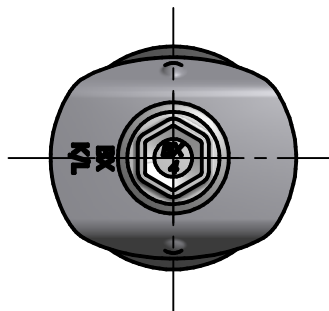
For Square Rib Profiles in Cyclone Areas

| Part Number | Description |
|----------------|--|
| 6-310-3576-5C4 | 14-10 x 68 Hex Head TekS® with SquareLok Plate |

All dimensions nominal unless otherwise stated. Normal manufacturing tolerances apply.

Product Technical Data Sheet

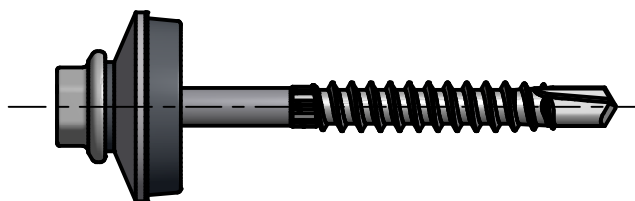
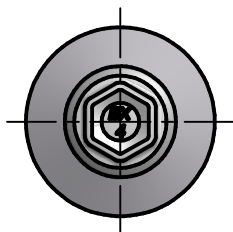
14-10 x 68mm and 78mm Hex Head TekS®



For High Rib Profiles in Cyclone Areas

| Part Number | Description |
|----------------|---|
| 6-310-3108-2C4 | 14-10 x 68 Hex Head TekS® with KlipLok® Plate |
| 6-310-3351-2C4 | 14-10 x 78 Hex Head TekS® with KlipLok® Plate |

All dimensions nominal unless otherwise stated. Normal manufacturing tolerances apply.



For Ridge Cap Fixing in Cyclone Areas

| Part Number | Description |
|----------------|--|
| 6-310-3167-1C4 | 14-10 x 68 Hex Head TekS® with MultiSeal |
| 6-310-3341-8C4 | 14-10 x 78 Hex Head TekS® with MultiSeal |

Buildex® Head Office
 600 South Road
 Moorabbin Victoria 3189
 Australia
 1300 368 101
 CustomerService-MBN@buildex.com.au
 Technical Help Desk
 Technicalhelpdesk@buildex.com.au