

Product Technical Data Sheet

14-14 Hex Washer Long Tek®

Part Number	Description	Pack Qty	Pallet Qty
6-311-3664-4C4	14-14 x 110 Hex Washer HiGrip® Long Tek® Class 4	250	21,000
6-311-3665-5C4	14-14 x 125 Hex Washer HiGrip® Long Tek® Class 4	250	21,000
6-311-3666-6C4	14-14 x 150 Hex Washer HiGrip® Long Tek® Class 4	250	21,000
6-311-3762-2C4	14-14 x 175 Hex Washer HiGrip® Long Tek® Class 4	250	18,000
6-311-3706-6C4	14-14 x 205 Hex Washer HiGrip® Long Tek® Class 4	250	18,000
6-311-3669-9C4	14-14 x 230 Hex Washer HiGrip® Long Tek® Class 4	250	18,000
6-311-3789-9C4	14-14 x 300 Hex Washer HiGrip® Long Tek® Class 4	250	14,400

Application:

Buildex® 14-14 Hex Washer Long Tek® are designed for crest pierce fixing insulated roof panels and insulated wall panels to steel purlins. Available either bare or with EDPM Sealing Washer.

In cyclonic regions the 14-14 Hex Washer Long Tek® can be used with either the Corri-Lok® or Square-Lok® cyclone plates or MultiSeal® Washer.

Drilling Capacity: Purlin - 1.5mm ~ 2.4mm x 2

Features:

Hex Drive
HiGrip®
Tek® Point
Finish

Benefits:

For positive drive under high installation torque
User friendly, stops overdriving. Provides a rigid connection between the panel and the purlin.
For drilling into steel while ensuring maximum pullout strength and a high strip torque.
Corrosion performance Climaseal® 4 to suit the application.

Installation Instructions:

1. Use a Buildex® 3/8 Hex Hexagon Driver Bit (1-991-1370-4).
2. Use a mains powered or cordless screw driver with a 2,500 RPM speed.
3. Fit the hex driver bit over the screw and place at the fastening position.
4. Apply consistently firm pressure (end load) to the screw driver until the screw has drilled and fastened.

Material:

Carbon Steel SAE 1022 | **Heat Treatment:** To AS 3566.1 | **Finish:** Climaseal® 4

Mechanical Properties:

Single Shear Strength (N) 11,100 | Axial Tensile Strength (N) 20,500 | Torsion Strength (Nm) 19.6

Pullout Values:

1.5mm Purlin 3,300 | 1.9mm Purlin 4,000 | 2.4 Purlin 7,100 | 3.0mm Purlin 9,500

All values are averages obtained under laboratory conditions and appropriate safety factors should be applied for design purposes.

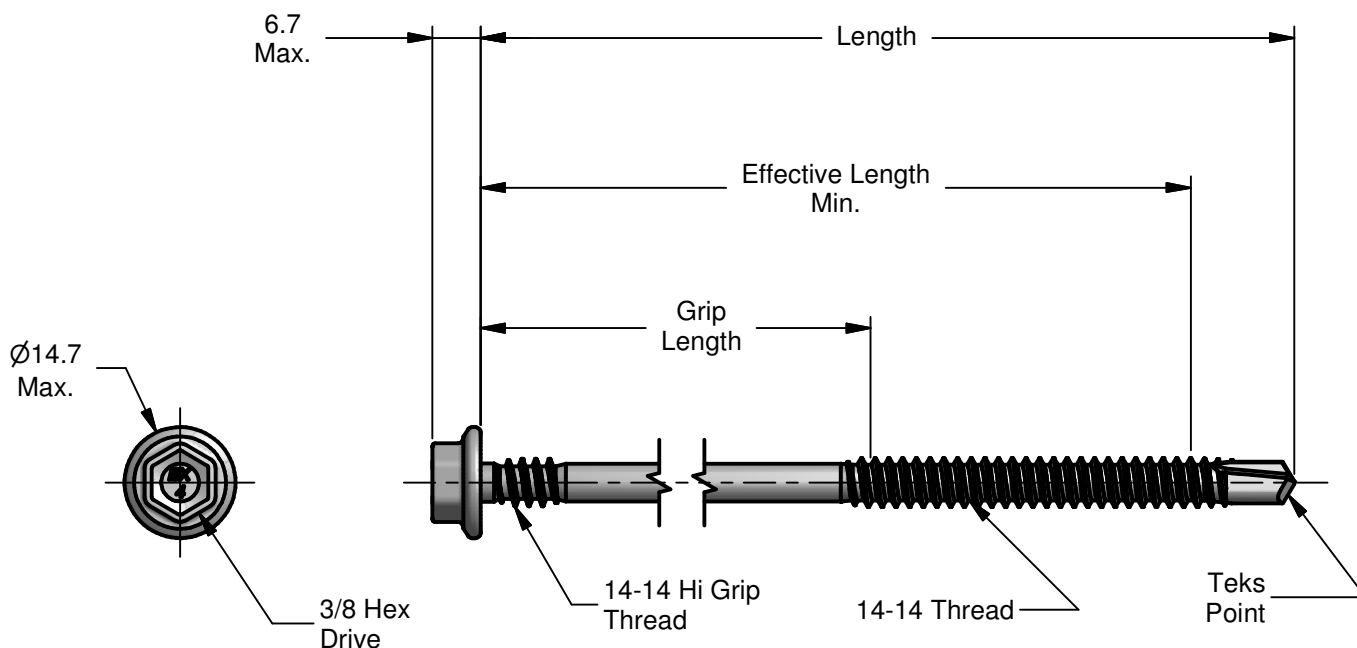
These figures are applicable to Buildex® head marked product only.

Corrosion Performance:

Buildex® 14-14 Hex Washer Long Tek® complies to Australian Standards AS3566.2 Class 4

Product Technical Data Sheet

14-14 Hex Washer Long Teks®



Description	Length	Grip Length	Effective Length
14-14 x 110 Hex Washer HiGrip Long Teks Climaseal4	108.5 / 110.0	52.0 / 54.0	94.5 Min.
14-14 x 125 Hex Washer HiGrip Long Teks Climaseal4	123.5 / 125.0	67.0 / 69.0	109.5 Min.
14-14 x 150 Hex Washer HiGrip Long Teks Climaseal4	148.5 / 150.0	92.0 / 94.0	134.5 Min.
14-14 x 175 Hex Washer HiGrip Long Teks Climaseal4	173.5 / 175.0	105.0 / 107.0	159.5 Min.
14-14 x 205 Hex Washer HiGrip Long Teks Climaseal4	203.5 / 205.0	125.0 / 127.0	189.5 Min.
14-14 x 230 Hex Washer HiGrip Long Teks Climaseal4	228.5 / 230.0	172.0 / 174.0	214.5 Min.
14-14 x 300 Hex Washer HiGrip Long Teks Climaseal4	298.5 / 300.0	220.0 / 222.0	284.5 Min.

All dimensions nominal unless otherwise stated. Normal manufacturing tolerances apply.

Buildex® Head Office
 600 South Road
 Moorabbin Victoria 3189
 Australia
 1300 368 101
 CustomerService-MBN@buildex.com.au

Buildex® Middle Eastern Sales Office
 middleeastsales@buildex.com.au

Technical Help Desk
 Technicalhelpdesk@buildex.com.au