

Product Technical Data Sheet

12-14 x 30 Concealed Fix Screw

| Part Number | Description | Pack Qty | Pallet Qty |
|----------------|--------------------------------------------|----------|------------|
| 6-311-0782-2CS | 12-14 x 30 Concealed Clip Hex Washer Tekes | 1000 | 114,000 |

Application:

The Buildex® 12-14 x 30 Concealed Clip Hex Washer Tekes® screw with Climaseal® 3 is used for fixing concealed fix clips to steel purlins, the product can also be used for valley fixing Side Cladding to steel purlins.

Drill Capacity:

Steel 1.2 mm ~ 2.4 x 2

Features:

Low Head

Hex Drive

Tekes® Point

Finish

Benefits:

Fits below the roof sheet pan, allowing movement of the roof sheet without damage to the roof sheet or screw.

For positive drive under high installation torque

For drilling into steel while ensuring maximum pullout strength and a high strip torque.

Climaseal® 3 with corrosion performance to AS 3566.2 Class 3.

Installation Instructions:

1. Use a Buildex® $\frac{5}{16}$ Hex Head Driver Bit (1-991-1366-9)
2. Use a mains powered or cordless screw driver with a 2,500 RPM speed.
3. Fit the $\frac{5}{16}$ driver bit into the screw and place at the fastening position.
4. Apply consistently firm pressure (end load) to the screw driver until the screw has fastened.

Material: Carbon Steel SAE 1022 | **Heat Treatment:** To AS 3566.1 | **Finish:** To AS 3566.2 Class 3

Mechanical Properties:

Single Shear Strength (N) 8,800 | Axial Tensile (N) 15,300 | Torsion Strength 13,20 N-m

Pullout Values (N):

Steel Purlin 1,2: 2,200 | Steel Purlin 1,5: 4,080 | Steel Purlin 1,9: 5,420 | Steel Purlin 2,4: 7,360

All values are averages obtained under laboratory conditions and appropriate safety factors should be applied for design purposes.

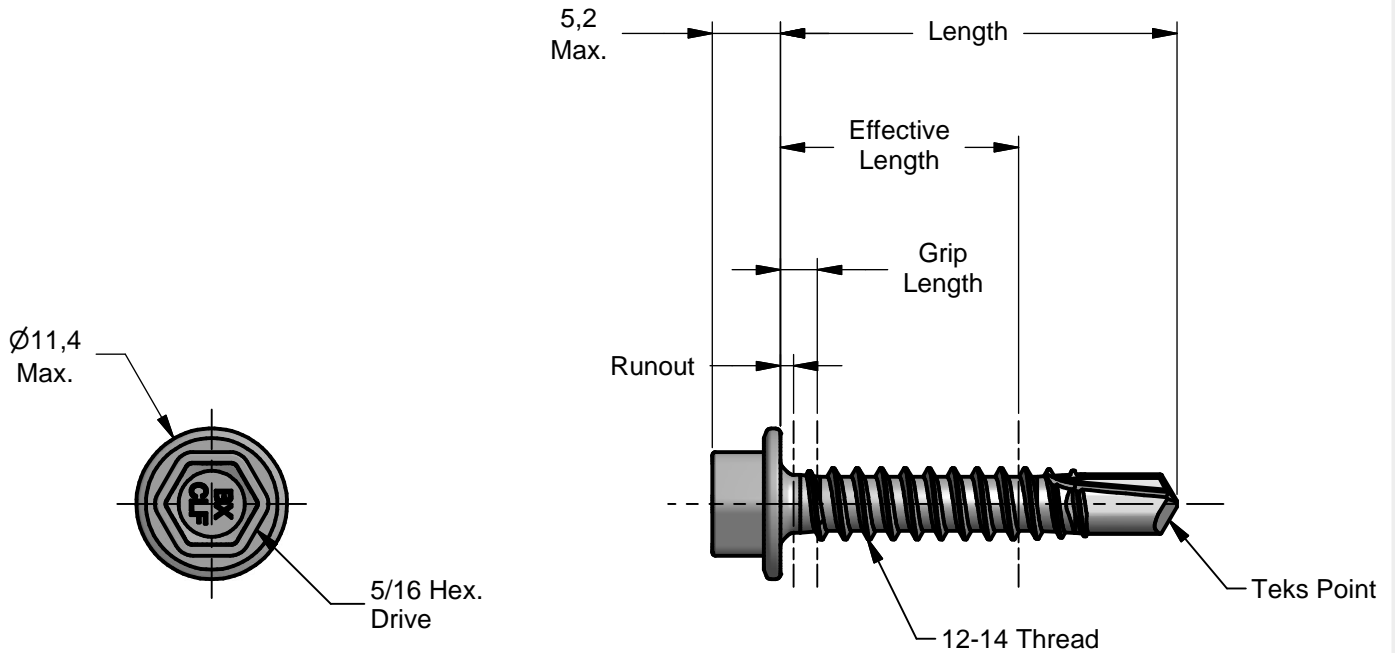
These figures are applicable to Buildex® head marked product only.

Corrosion Performance:

The Buildex® 12-14 x 30 Concealed Clip Hex Washer Tekes® screw with Climaseal® 3 complies to Australian Standards AS3566.2 Class 3

Product Technical Data Sheet

12-14 x 30 Concealed Fix Screw



| Description | Length | Runout | Grip Length | Effective Length |
|-----------------------------------|-------------|----------|-------------|------------------|
| 12-14 x 30.0 Concealed Clip Screw | 28.5 / 30.0 | 1.0 max. | 2.8 Max | 15.0 Min. |
| | | | | |

All dimensions nominal unless otherwise stated. Normal manufacturing tolerances apply.

Buildex® Head Office
 600 South Road
 Moorabbin Victoria 3189
 Australia
 1300 368 101
 CustomerService-MBN@buildex.com.au

Buildex® Middle Eastern Sales Office
 middleeastsales@buildex.com.au

Technical Help Desk
 Technicalhelpdesk@buildex.com.au