

## Product Technical Data Sheet

### 14-20 Hex Washer Series 500 Tekes

Part Number	Description	Pack Qty	Pallet Qty
6-351-3028-8C4	14-20 x 150 Hex Washer HiGrip® Series 500 Tekes Climaseal 4	250	21,000
6-351-3029-9C4	14-20 x 200 Hex Washer HiGrip® Series 500 Tekes Climaseal 4	250	18,000
6-351-3038-8C4	14-20 x 300 Hex Washer HiGrip® Series 500 Tekes Climaseal 4	100	8,400

#### Application:

Buildex® 14-20 Hex Washer Series 500 Tekes® are designed for crest pierce fixing insulated roof panels and insulated wall panels to steel purlins. Available either bare or with EDPM Sealing Washer.

In cyclonic regions the 14-20 Hex Washer Series 500 Tekes® can be used with either the Corri-Lok® or Square-Lok® cyclone plates or MultiSeal® Washer.

#### Drilling Capacity:

Steel - 3.0 mm ~ 12.0 mm

#### Features:

Hex Drive

HiGrip®

Tekes® Point

Finish

#### Benefits:

For positive drive under high installation torque

User friendly, stops overdriving. Provides a rigid connection between the panel and the purlin.

For drilling into steel while ensuring maximum pullout strength and a high strip torque.

Corrosion performance Class 4 to suit the application.

#### Installation Instructions:

1. Use a Buildex® 3/8 Hex Hexagon Driver Bit (1-991-1370-4).
2. Use a mains powered or cordless screw driver with a 2,500 RPM speed.
3. Fit the hex driver bit over the screw and place at the fastening position.
4. Apply consistently firm pressure (end load) to the screw driver until the screw has drilled and fastened.

#### Material:

Carbon Steel SAE 1022 | **Heat Treatment:** To AS 3566.1 | **Finish:** Climaseal® 4

#### Mechanical Properties:

Single Shear Strength (N) 11,200 | Axial Tensile Strength (N) 21,200 | Torsion Strength (Nm) 20.4

#### Pullout Values:

3.0 mm G450 Purlin 6,100 | 3.0 mm 8,200 | 5.0 mm HRS 12,600 | 6.0 mm HRS 16,900 | 8.0 mm HRS 18,000 |  
12.0 mm HRS 18,000

In the case of the 8.0 mm HRS and 12.0 mm HRS the fastener failed.

All values are averages obtained under laboratory conditions and appropriate safety factors should be applied for design purposes.

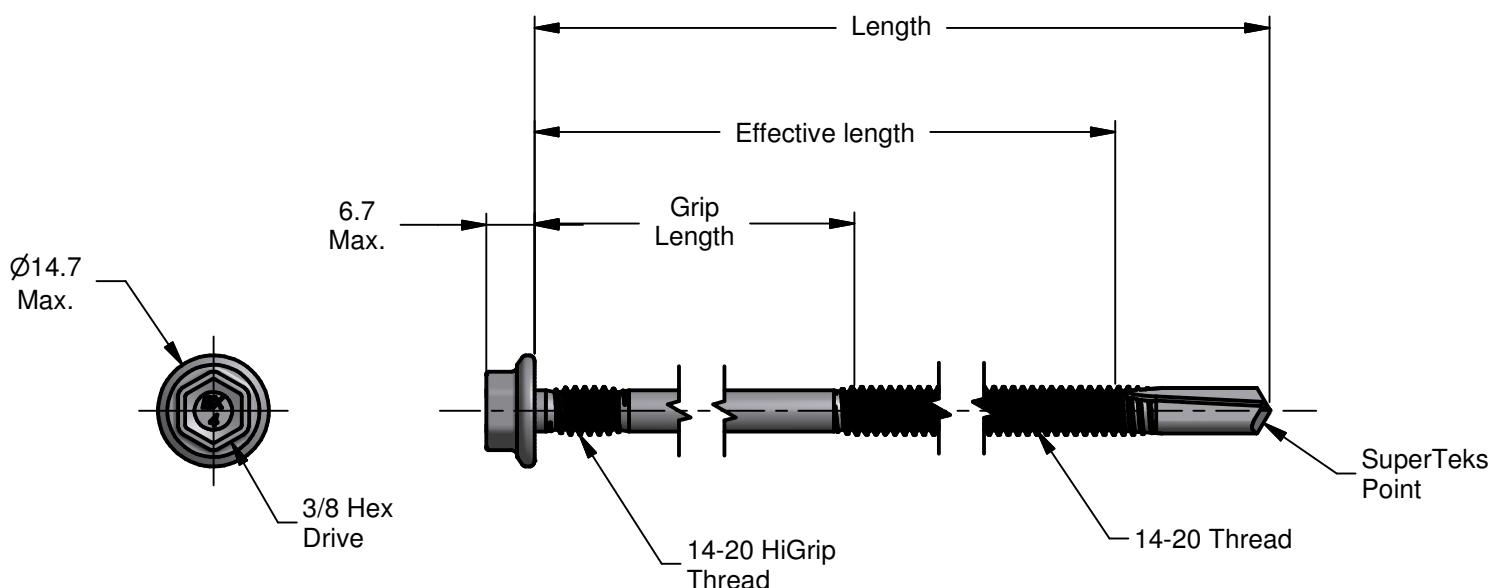
These figures are applicable to Buildex® head marked product only.

#### Corrosion Performance:

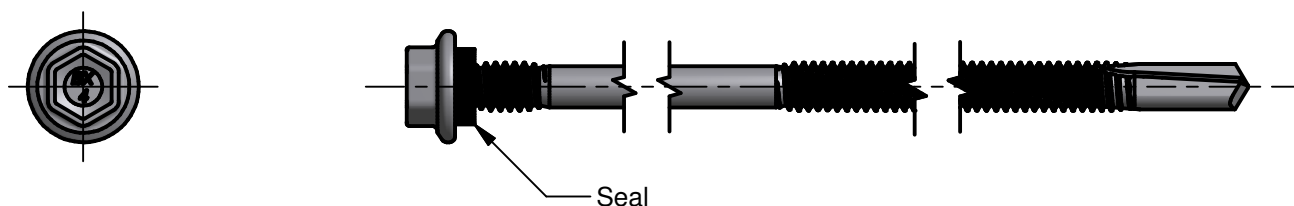
Buildex® 14-20 Hex Washer Series 500 Tekes® complies to Australian Standards AS3566.2 Class 4

## Product Technical Data Sheet

### 14-20 Hex Washer Series 500 TekS



Description	Length	Grip Length	Effective Length
14-20 x 150 Hex Head HiGrip Series 500 TekS Climaseal 4	148.5 / 150.0	54.0 / 56.0	130.0 Min.
14-20 x 200 Hex Head HiGrip Series 500 TekS Climaseal 4	198.5 / 200.0	104.0 / 106.0	180.0 min.
14-20 x 300 Hex Head HiGrip Series 500 TekS Climaseal 4	298.5 / 300.0	204.0 / 206.0	280.0 Min.

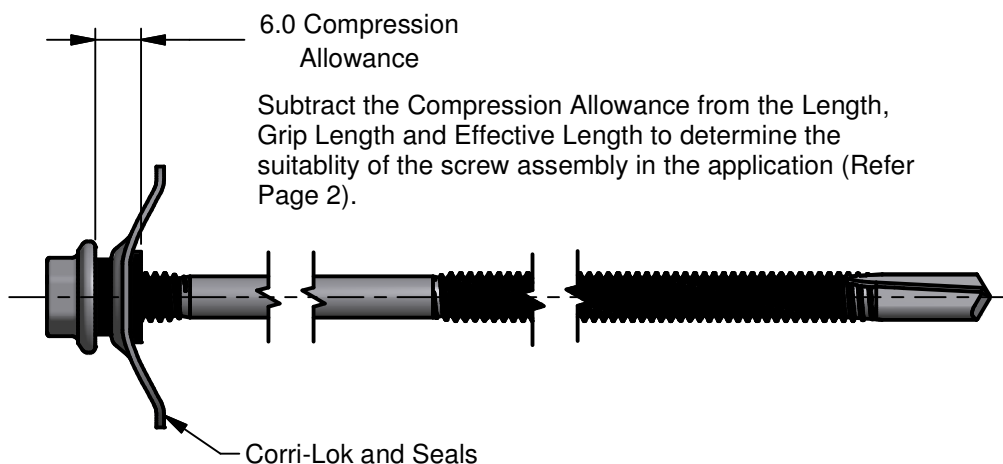


Length	Description	Pack Qty	Pallet Qty
6-310-3028-8C4	14-20 x 150 Hex Head HiGrip Series 500 TekS Climaseal 4 with Seal	250	21,000
6-310-3029-9C4	14-20 x 200 Hex Head HiGrip Series 500 TekS Climaseal 4 with Seal	250	21,000
6-310-3038-8C4	14-20 x 300 Hex Head HiGrip Series 500 TekS Climaseal 4 with Seal	100	8,400

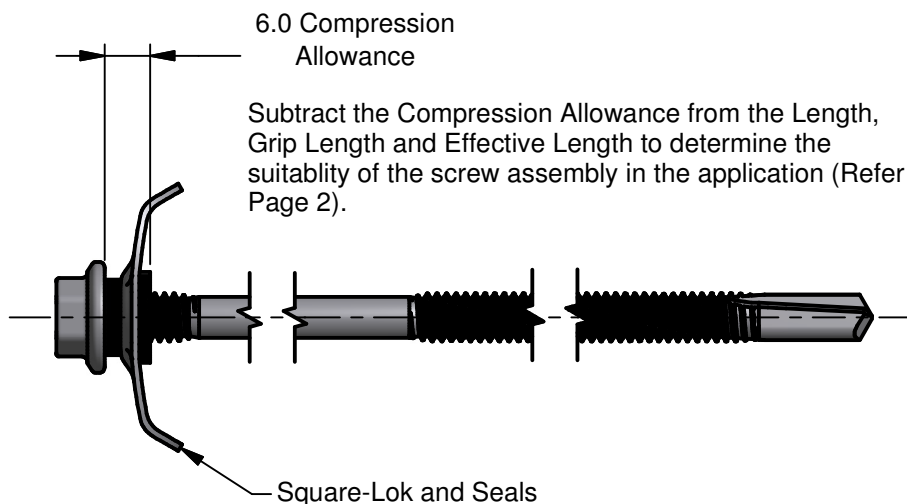
All dimensions nominal unless otherwise stated. Normal manufacturing tolerances apply.

## Product Technical Data Sheet

### 14-20 Hex Washer Series 500 Tekes



Length	Description	Pack Qty	Pallet Qty
6-310-3030-1C4	14-20 x 150 Hex Head HiGrip Series 500 Tekes Climaseal 4 with Corri-iLok	150	12,600
6-310-3032-2C4	14-20 x 200 Hex Head HiGrip Series 500 Tekes Climaseal 4 with Corrii-Lok	100	8,400

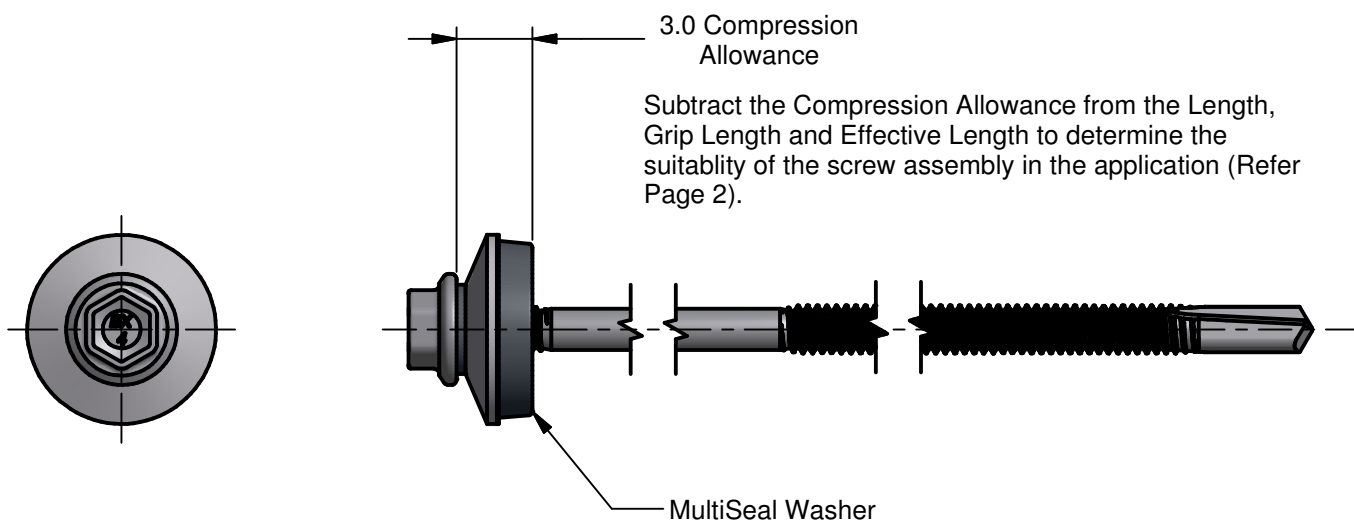


Length	Description	Pack Qty	Pallet Qty
6-310-3034-4C4	14-20 x 150 Hex Head HiGrip Series 500 Tekes Climaseal 4 with Square-Lok	150	12,600
6-310-3035-5C4	14-20 x 200 Hex Head HiGrip Series 500 Tekes Climaseal 4 with Square-Lok	100	8,400

All dimensions nominal unless otherwise stated. Normal manufacturing tolerances apply.

## Product Technical Data Sheet

### 14-20 Hex Washer Series 500 Tekes



Length	Description	Pack Qty	Pallet Qty
6-310-3031-1C4	14-20 x 150 Hex Head HiGripSeries 500 Tekes Climaseal 4 with MultiSeal	150	12,600
6-310-3033-3C4	14-20 x 200 Hex Head HiGrip Series 500 Tekes Climaseal 4 with MultiSeal	150	12,600

All dimensions nominal unless otherwise stated. Normal manufacturing tolerances apply.

Buildex® Head Office  
 600 South Road  
 Moorabbin Victoria 3189  
 Australia  
 1300 368 101  
 CustomerService-MBN@buildex.com.au

Buildex® Middle Eastern Sales Office  
 middleeastsales@buildex.com.au

Technical Help Desk  
 Technicalhelpdesk@buildex.com.au