

Product Technical Data Sheet

12-11 Hex Washer Hi Grip T17

Part Number	Description	Pack Qty	Pallet Qty
6-030-0163-3CS	12-11 x 50.0 Hex Washer Hi Grip T17 Climaseal 3 with Seal	1000	84,000
6-030-3164-8C4	12-11 x 65.0 Hex Washer Hi Grip T17 Climaseal 4 with Seal	1000	60,000

Application:

Buildex 12-11 Hex Washer Hi Grip T17 is designed for fixing roof sheet to timber battens.

Drilling Capacity:

Timber F7 to F27

Features:

Hex Drive

Hi Grip Thd

Shank Guard

Finish

Benefits:

For positive drive under high installation torque

Stop sheet from moving when the roof is walked on.

Protects the shank from scratching and scouring during installation

Corrosion performance Class 3 or Class 4

Installation Instructions:

1. Use a 5/16 Hex Head Driver Bit (Buildex Part 1-991-1366-9).
2. Use a mains powered or cordless screw driver with a 2,500 RPM speed.
3. Fit the driver bit into the screw and place at the fastening position.
4. Apply consistently firm pressure (end load) to the screw driver until the screw has fastened.

Material: Carbon Steel SAE 1022 | **Heat Treatment:** To AS 3566.1 | **Finish:** Climaseal 3 or Climaseal 4

Mechanical Properties:

Single Shear Strength (N) 8,400 | Axial Tensile Strength (N) 13,900 | Torsion Strength (Nm) 13.5

Pullout Values:

Into F7 (Pine) Timber (N) 3,900 | Into F17 (Hardwood) Timber (N) 6,460

All values are averages obtained under laboratory conditions and appropriate safety factors should be applied for design purposes.

These figures are applicable to Buildex head marked product only.

Pullout values at 36.0 mm embedment

Corrosion Performance:

Buildex 12-11 Hex Washer Hi Grip T17 with the Climaseal 3 finish complies to Australian Standards AS3566.2 Class 3 or Class 4

Buildex, Teks and Climaseal are Buildex registered Trademarks

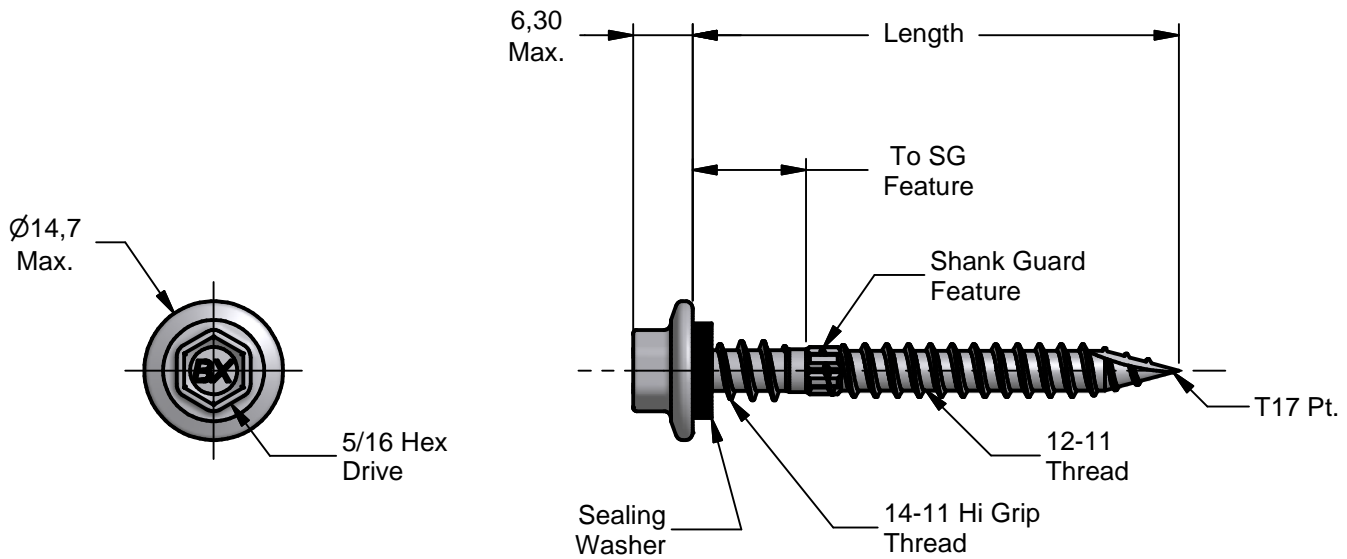
Status Released | Written By John Mallet | Date Written 8/02/2011 | Current Issue 1 | Current Issue Date 8/02/2011

A Division of ITW Buildex Australia Pty Ltd. ACN 004 235 036 ABN 63 004 235 063

Page 1 of 2

Product Technical Data Sheet

12-11 Hex Washer Hi Grip T17



Description	Length	To SG Feature
12-11 x 50.0 Hex Washer Hi Grip T17 Climaseal 3 with Seal	48.5 / 50.0	12.0 / 14.0
12-11 x 65.0 Hex Washer Hi Grip T17 Climaseal 4 with Seal	63.5 / 65.0	27.0 / 29.0

All dimensions nominal unless otherwise stated. Normal manufacturing tolerances apply.

Dr David Collinson
 Technical & Product Development
 Manager Buildex

Alan Brooke
 Quality Assurance
 Manager Buildex

Buildex Head Office
 600 South Road
 Moorabbin Victoria 3189
 Australia
 Customer Service Australia
 CustomerService-MBN@buildex.com.au
 1300 368 101
 Buildex Middle Eastern Sales Office
 Office 309
 Building 3 East
 Dubai Airport Free Zone, UAE
 Customer Service Middle East & Indian
 Subcontinent
 middleeastsales@buildex.com.au
 1300 368 101
 Buildex Website
<http://www.buildex.com.au>
 Technical Help Desk
 Technicalhelpdesk@buildex.com.au
 1300 137 273

Buildex, Teks and Climaseal are Buildex registered Trademarks

Status Released | Written By John Mallet | Date Written 8/02/2011 | Current Issue 1 | Current Issue Date 8/02/2011