

Product Technical Data Sheet

14-10 x 50 Hex Washer T17®

Part Number	Description	Pack Qty	Pallet Qty
6-031-3008-2C4	14-10 x 50 Hex Washer T17® Bare	1000	60,000
6-030-3007-1C4	14-10 x 50 Hex Washer T17® with EDPM Seal	1000	60,000
6-030-3071-1C4	14-10 x 50 Hex Washer T17® with 16mm ABW		
6-030-3633-2C4	14-10 x 50 Hex Washer T17® with CoriLok Plate	250	21,000
6-030-3093-2C4	14-10 x 50 Hex Washer T17® with MultiSeal	250	26,250

Application:

Buildex® 14-10 x 50 mm Hex Washer T17® Screw is used for crest fixing Roof Sheets to timber batten. The product is available with an EDPM Seal, 14mm ABW, MultiSeal and Corrilok® Cyclone Plates.

Drill Capacity:

Timber F7 to F27

Features:

Hex Drive
T17® Point
Finish

Benefits:

For positive drive under high installation torque
For installing into timber while ensuring maximum pullout strength and a high strip torque.
Climaseal® 4 for corrosion performance to AS 3566.2 Class 4.

Installation Instructions:

1. Use a Buildex® 3/8 Hex Head Driver Bit (1-991-1370-4)
2. Use a mains powered or cordless screw driver with a 2,500 RPM speed.
3. Fit the 3/8 driver bit into the screw and place at the fastening position.
4. Apply consistently firm pressure (end load) to the screw driver until the screw has fastened.

Material: Carbon Steel SAE 1022 **Heat Treatment:** To AS 3566.1 | **Finish:** Climaseal® 4

Mechanical Properties:

Single Shear Strength (N) 10,900 | Axial Tensile (N) 19,700 | Torsion Strength 18,50 N-m

Pullout Values (N) and at 36mm embedment:

Into F7 (Pine) Timber (N) 3,820 | Into F17 (Hardwood) Timber (N) 6980

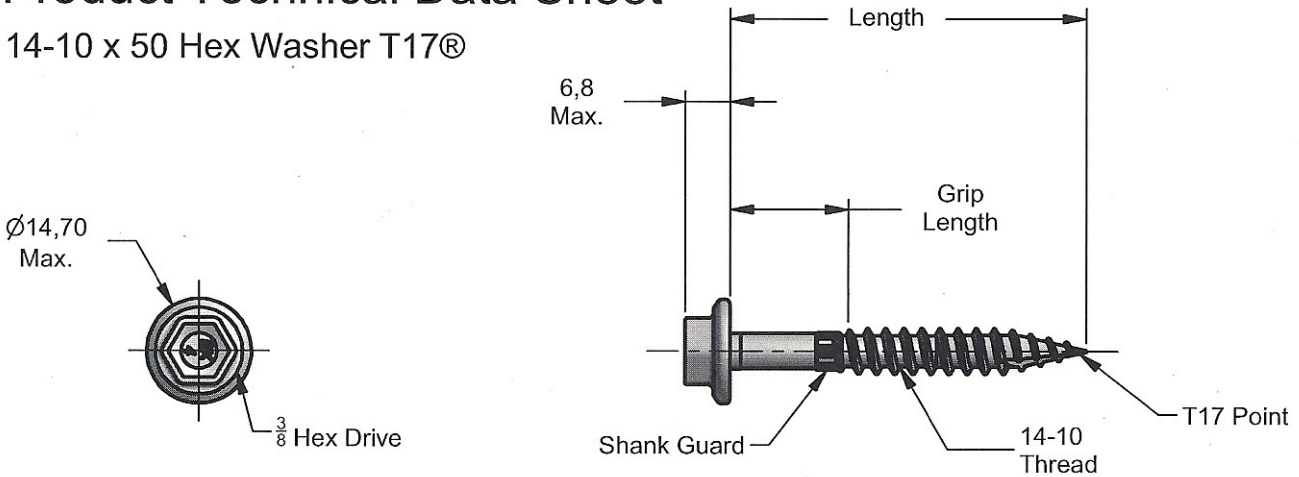
All values are averages obtained under laboratory conditions and appropriate safety factors should be applied for design purposes.
These figures are applicable to Buildex® head marked product only.

Corrosion Performance:

Buildex® 14-10 x 50 mm Hex Washer T17® Climaseal® 4 Screw complies to Australian Standards AS3566.2 Class 4

Product Technical Data Sheet

14-10 x 50 Hex Washer T17®



Part Number	Description	Length	Grip Length
6-031-3008-2C4	14-10 x 50 Hex Washer T17®	48.5 / 50.0	13.75 / 15.75



For Non Cyclone Areas

Part Number	Description
6-030-3007-1C4	14-10 x 50 Hex Washer T17® with EDPM Seal



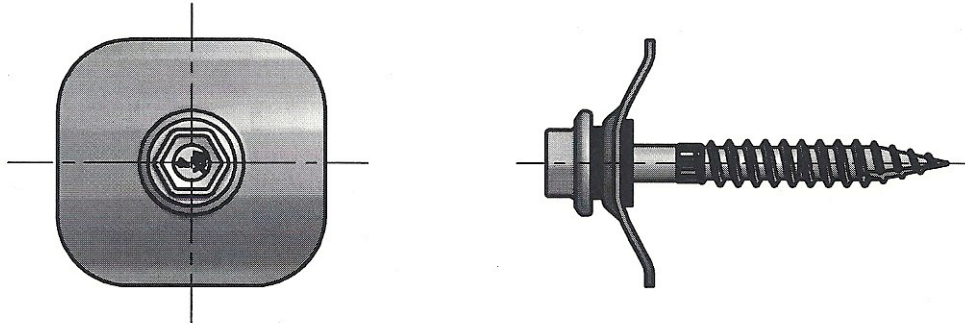
For Non Cyclone Areas

Part Number	Description
6-030-3071-1C4	14-10 x 50 Hex Washer T17® with 16 mm ABW

All dimensions nominal unless otherwise stated. Normal manufacturing tolerances apply

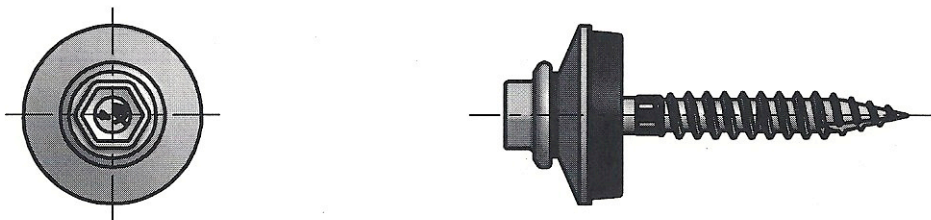
Product Technical Data Sheet

14-10 x 50 Hex Washer T17®



For Corrugated Profiles in Cyclone Areas

Part Number	Description
6-030-3633-2C4	14-10 x 50 Hex Washer T17® with Corilok® Plate



For Ridge Cap Fixing in Cyclone Areas

Part Number	Description
6-030-3093-2C4	14-10 x 50 Hex Washer T17® with MultiSeal

Buildex® Head Office
 600 South Road
 Moorabbin Victoria 3189
 Australia
 1300 368 101
 CustomerService-MBN@buildex.com.au

Buildex® Middle Eastern Sales Office
 middleeastsales@buildex.com.au

Technical Help Desk
 Technicalhelpdesk@buildex.com.au