

Product Technical Data Sheet

14-10 Hex Washer Type 17 Class 4

Part Number	Description	Pack Qty	Pallet Qty
6-031-3009-1C4	14-10 x 65 Hex Washer Type 17 Climaseal 4	1000	84,000
6-030-3008-2C4	14-10 x 65 Hex Washer Type 17 Climaseal 4 with Seal	1000	84,000
6-031-3013-6C4	14-10 x 75 Hex Washer Type 17 Climaseal 4	500	42,000
6-030-3009-4C4	14-10 x 75 Hex Washer Type 17 Climaseal 4 with Seal	500	42,000
6-031-3018-7C4	14-10 x 90 Hex Washer Type 17 Climaseal 4	500	42,000
6-030-3010-9C4	14-10 x 90 Hex Washer Type 17 Climaseal 4 with Seal	500	42,000
6-031-3019-5C4	14-10 x 100 Hex Washer Type 17 Climaseal 4	500	42,000
6-030-3038-2C4	14-10 x 100 Hex Washer Type 17 Climaseal 4 with Seal	500	42,000

Application:

Buildex® 14-10 Hex Washer Type 17 are designed for crest pierce fixing roof cladding and side cladding to timber. Available either bare or with EDPM Sealing Washer.

In cyclonic regions the 14-10 Hex Washer Long Type 17 can be used with either the Corri-Lok® or Square-Lok® cyclone plates, or MultiSeal® Washer.

Drilling Capacity:

Timber F7 ~ F27

Features:

Hex Drive
Finish

Benefits:

For positive drive under high installation torque
Corrosion performance Climaseal® 4 to suit the application.

Installation Instructions:

1. Use a Buildex® 3/8 Hex Hexagon Driver Bit (1-991-1370-4).
2. Use a mains powered or cordless screw driver with a 2,500 RPM speed.
3. Fit the hex driver bit over the screw and place at the fastening position.
4. Apply consistently firm pressure (end load) to the screw driver until the screw has drilled and fastened.

Material:

Carbon Steel SAE 1022 | **Heat Treatment:** To AS 3566.1 | **Finish:** Climaseal® 4

Mechanical Properties:

Single Shear Strength (N) 10,900 | Axial Tensile Strength (N) 19,700 | Torsion Strength (Nm) 18.5

Pullout Values (35.0 mm embedment):

F7 (Pine) Timber (N) 3,820 | F17 (Hardwood) Timber (N) 6,980

All values are averages obtained under laboratory conditions and appropriate safety factors should be applied for design purposes.

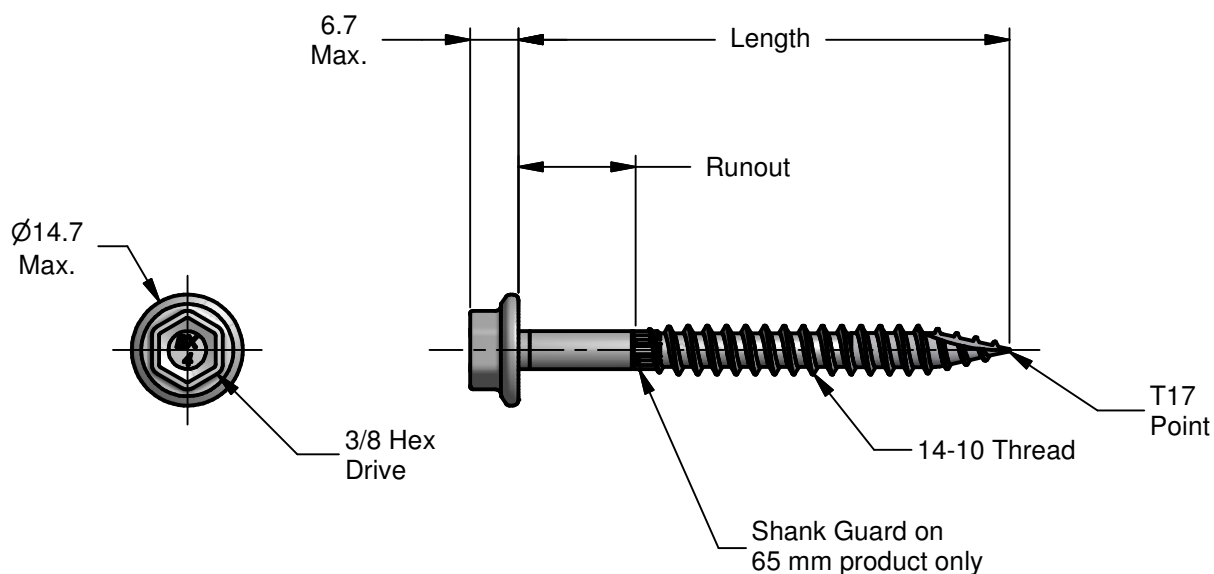
These figures are applicable to Buildex® head marked product only.

Corrosion Performance:

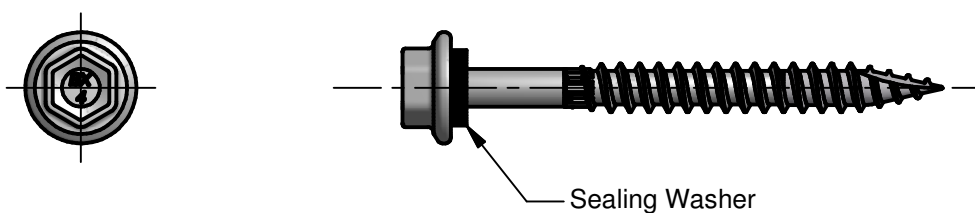
Buildex® 14-10 Hex Washer Type 17 screws comply to Australian Standards AS3566.2 Class 4

Product Technical Data Sheet

14-10 Hex Washer Type 17 Class 4



Description	Length	Runout
14-10 x 65 Hex Washer T17 Climaseal 4	63.5 / 65.0	25.0 / 29.0
14-10 x 75 Hex Washer T17 Climaseal 4	73.5 / 75.0	25.0 / 29.0
14-10 x 90 Hex Washer T17 Climaseal 4	88.5 / 90.0	40.0 / 44.0
14-10 x 100 Hex Washer T17 Climaseal 4	98.5 / 100.0	50.0 / 54.0



All dimensions nominal unless otherwise stated. Normal manufacturing tolerances apply.

Buildex® Head Office
 600 South Road
 Moorabbin Victoria 3189
 Australia
 1300 368 101
 CustomerService-MBN@buildex.com.au

Buildex® Middle Eastern Sales Office
 middleeastsales@buildex.com.au

Technical Help Desk
 Technicalhelpdesk@buildex.com.au