

Product Technical Data Sheet

10-16 Hex Ripple Zips

Part Number	Description	Pack Qty	Pallet Qty
6-031-3341-1C4	10-16 x 25.0 Hex Ripple Zips	1000 / 4000	288,000

Application:

Buildex® 10-16 Hex Ripple Zips are designed for a fixing mini orb or corrugated cladding to buildings, sheds and fencing, the Hex Ripple Hex Head has been designed to blend with the cladding and make a design statement.

The 10-16 Hex Ripple Zips can be used in kitchens and other in-house fitouts where mini orb or corrugated is used.

Drilling Capacity:

Timber F7 to F27 | Steel 0.75 mm ~ 2 x 2.4 mm Purlin

Installation Instructions:

1. Use a 1/4 Hex Driver Bit.
2. Use a mains powered or cordless screw driver with a 2,500 RPM speed.
3. Fit the Driver Bit into the screw and place at the fastening position.
4. Apply consistently firm pressure (end load) to the screw driver until the screw has drilled and fastened.

Material: Carbon Steel SAE 1022 | **Heat Treatment:** To AS 3566.1 | **Finish:** Cleamaseal 4

Mechanical Properties:

Single Shear Strength (N) 6,800 | Axial Tensile Strength (N) 11,900 | Torsion Strength (Nm) 8.4

Pullout Values:

Timber:

20 mm Embedment : F5 (Pine) Timber (N) 1,950 | F17 (Hardwood) Timber (N) 2,100

Steel:

0.75 mm Batten : 1,860 | Metal Stud 1.2mm : 2,320 | Steel Purlin 1.5 mm: 4,280 | Steel Purlin 1.9 mm : 5,820 | Steel Purlin 2.4 mm: 7,680

All values are averages obtained under laboratory conditions and appropriate safety factors should be applied for design purposes.

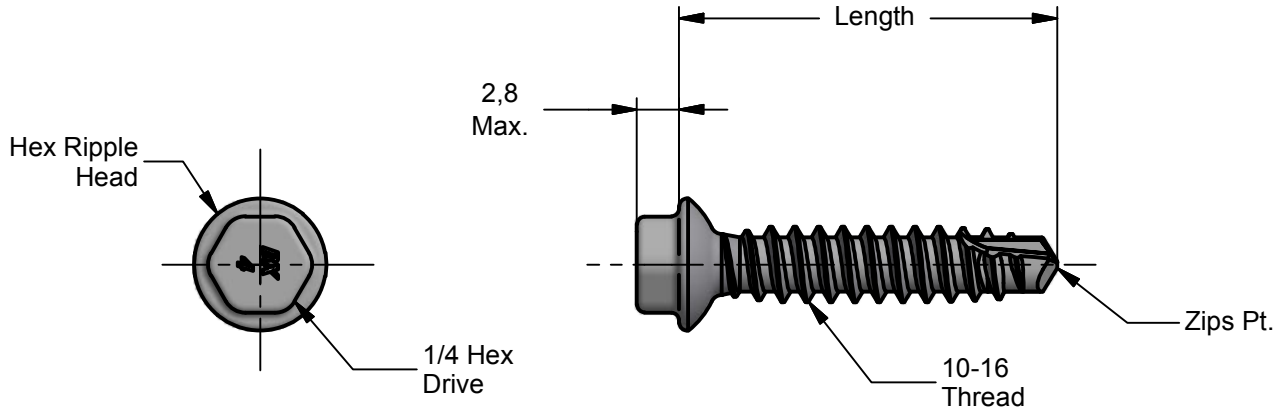
These figures are applicable to Buildex head marked product only.

Corrosion Performance:

Buildex® 10-16 Hex Ripple Zips with the Climaseal® 4 finish complies to Australian Standards AS3566.2 Class 4

Product Technical Data Sheet

10-16 Hex Ripple Zips



Description	Length
10-16 x 25.0 Hex Ripple Zips	23.5 / 25.0

All dimensions nominal unless otherwise stated. Normal manufacturing tolerances apply.

Buildex® Head Office
 600 South Road
 Moorabbin Victoria 3189
 Australia
 1300 368 101
 CustomerService-MBN@buildex.com.au
 Technical Help Desk
 Technicalhelpdesk@buildex.com.au