

Product Technical Data Sheet

14-10 Hex Washer T17 Class 4

| Part Number | Description | Pack Qty | Pallet Qty |
|----------------|--|----------|------------|
| 6-031-3213-4C4 | 14-10 x 115 Hex Washer Hi Grip T17 Class 4 | 250 | 21,000 |
| 6-031-3248-9C4 | 14-10 x 125 Hex Washer Hi Grip T17 Class 4 | 250 | 21,000 |
| 6-031-3200-1C4 | 14-10 x 150 Hex Washer Hi Grip T17 Class 4 | 250 | 21,000 |
| 6-031-3338-8C4 | 14-10 x 175 Hex Washer Hi Grip T17 Class 4 | 250 | 18,000 |
| 6-031-3352-2C4 | 14-10 x 200 Hex Washer Hi Grip T17 Class 4 | 250 | 18,000 |

Application:

Buildex® 14-10 Hex Washer Long T17 are designed for crest pierce fixing insulated roof panels and insulated wall panels to timber. Available either bare or with EDPM Sealing Washer.

In cyclonic regions the 14-10 Hex Washer Long T17 can be used with either the Corri-Lok®, Square-Lok® cyclone plates or MultiSeal® Washer.

Drilling Capacity:

Timber F7 ~ F27

Features:

Hex Drive
HI Grip®
Finish

Benefits:

For positive drive under high installation torque
User friendly, stops overdriving. Provides a rigid connection between the panel and the purlin.
Corrosion performance Class 4 to suit the application.

Installation Instructions:

1. Use a 3/8 Hex Hexagon Driver Bit (Buildex® Part Number 1-991-1370-4).
2. Use a mains powered or cordless screw driver with a 2,500 RPM speed.
3. Fit the hex driver bit over the screw and place at the fastening position.
4. Apply consistently firm pressure (end load) to the screw driver until the screw has drilled and fastened.

Material:

Carbon Steel SAE 1022 | **Heat Treatment:** To AS 3566.1 | **Finish:** Climaseal® 4

Mechanical Properties:

Single Shear Strength (N) 10,900 | Axial Tensile Strength (N) 19,700 | Torsion Strength (Nm) 18.5

Pullout Values (35.0 mm embedment):

F7 (Pine) Timber (N) 3,820 | F17 (Hardwood) Timber (N) 6,980

All values are averages obtained under laboratory conditions and appropriate safety factors should be applied for design purposes.

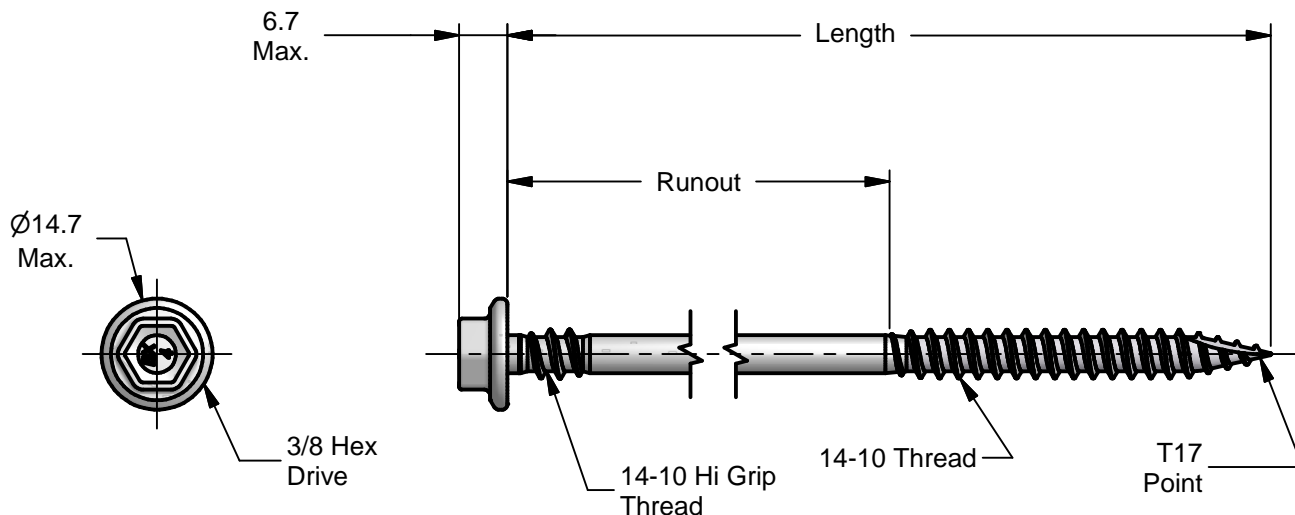
These figures are applicable to Buildex® head marked product only.

Corrosion Performance:

Buildex® 14-10 Hex Washer Long T17 complies to Australian Standards AS3566.2 Class 4

Product Technical Data Sheet

14-10 Hex Washer T17 Class 4



| Description | Length | Runout |
|--|---------------|---------------|
| 14-10 x 115 Hex Washer Hi Grip T17 Class 4 | 113.5 / 115.0 | 62.0 / 66.0 |
| 14-10 x 125 Hex Washer Hi Grip T17 Class 4 | 123.5 / 125.0 | 72.0 / 76.0 |
| 14-10 x 150 Hex Washer Hi Grip T17 Class 4 | 148.5 / 150.0 | 97.0 / 101.0 |
| 14-10 x 175 Hex Washer Hi Grip T17 Class 4 | 173.5 / 175.0 | 97.0 / 101.0 |
| 14-10 x 200 Hex Washer Hi Grip T17 Class 4 | 198.5 / 200.0 | 123.0 / 125.0 |

All dimensions nominal unless otherwise stated. Normal manufacturing tolerances apply.

Buildex® Head Office
 600 South Road
 Moorabbin Victoria 3189
 Australia
 1300 368 101
 CustomerService-MBN@buildex.com.au

Buildex® Middle Eastern Sales Office
 middleeastsales@buildex.com.au

Technical Help Desk
 Technicalhelpdesk@buildex.com.au